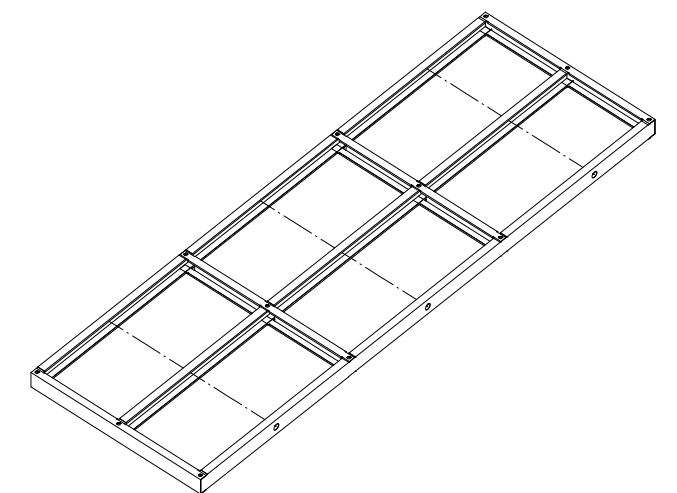
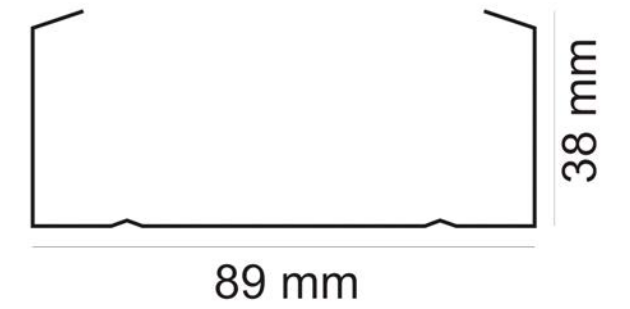
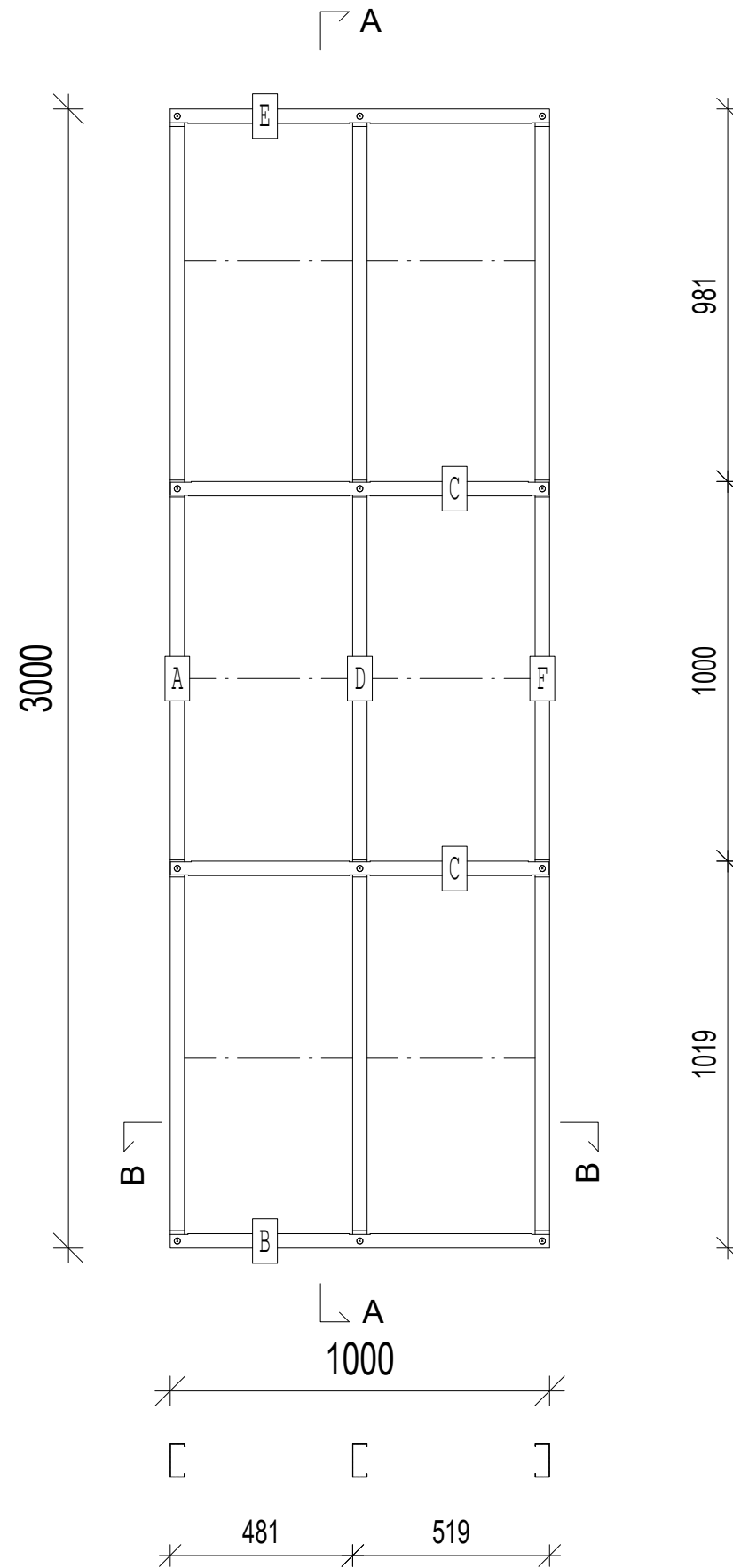
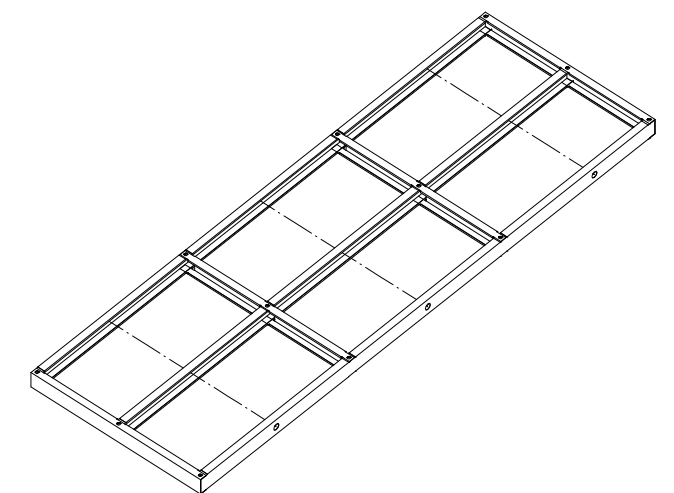
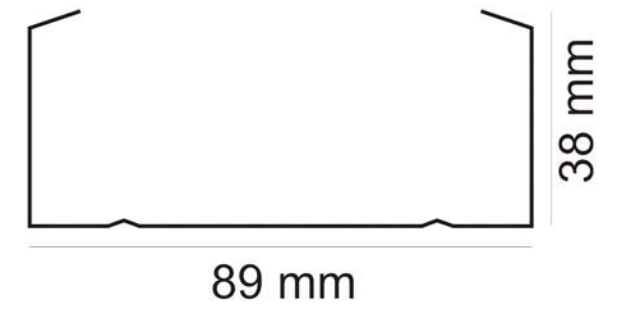
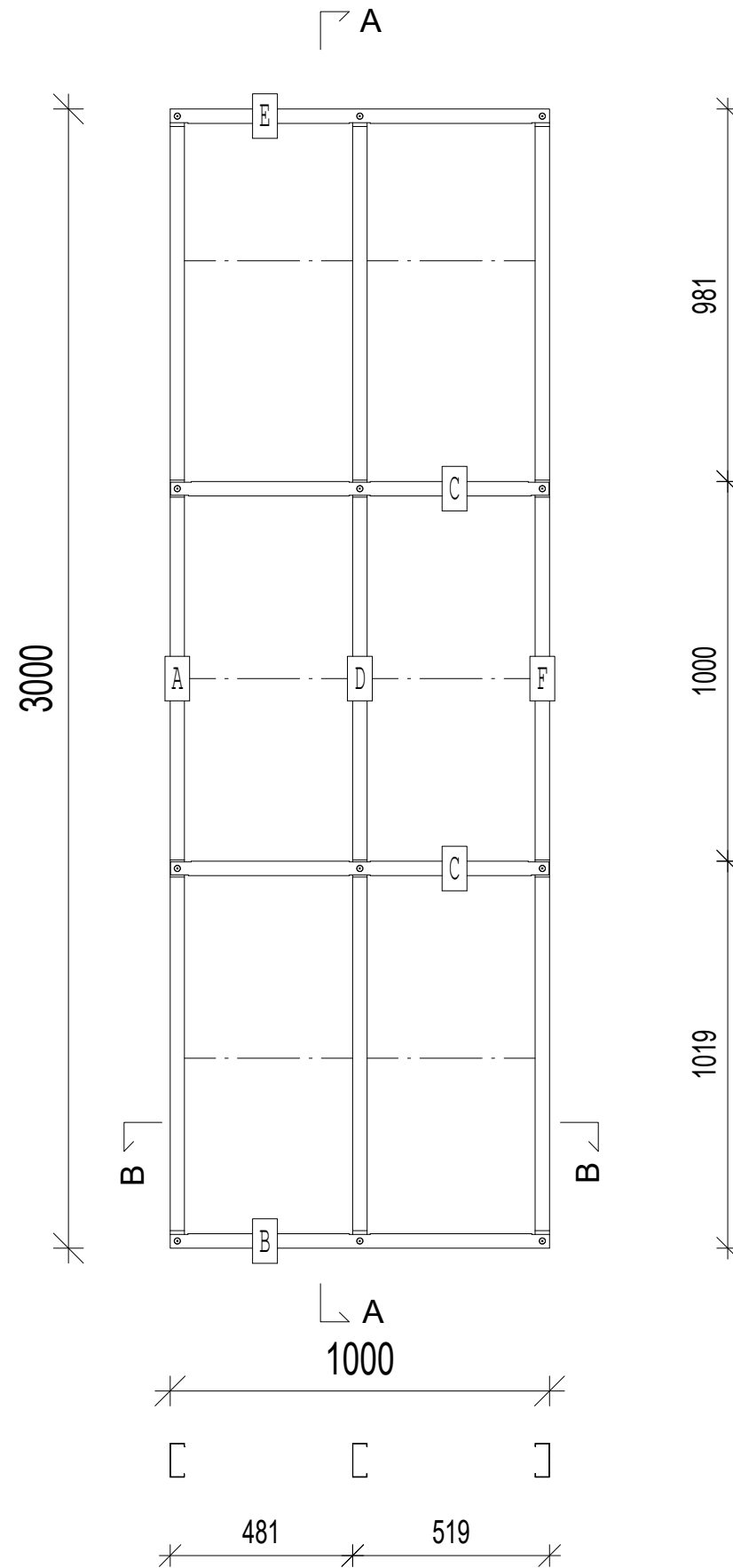


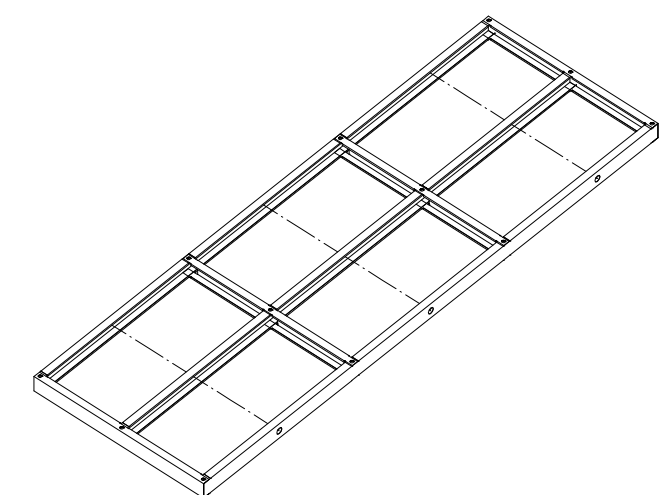
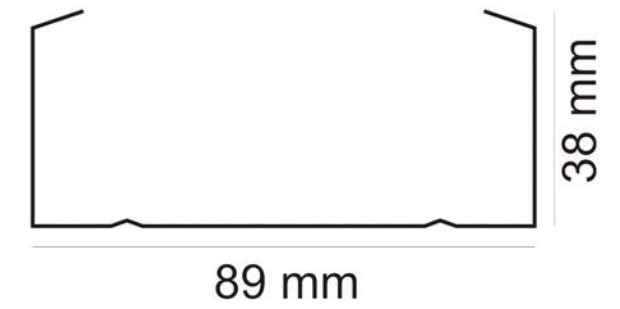
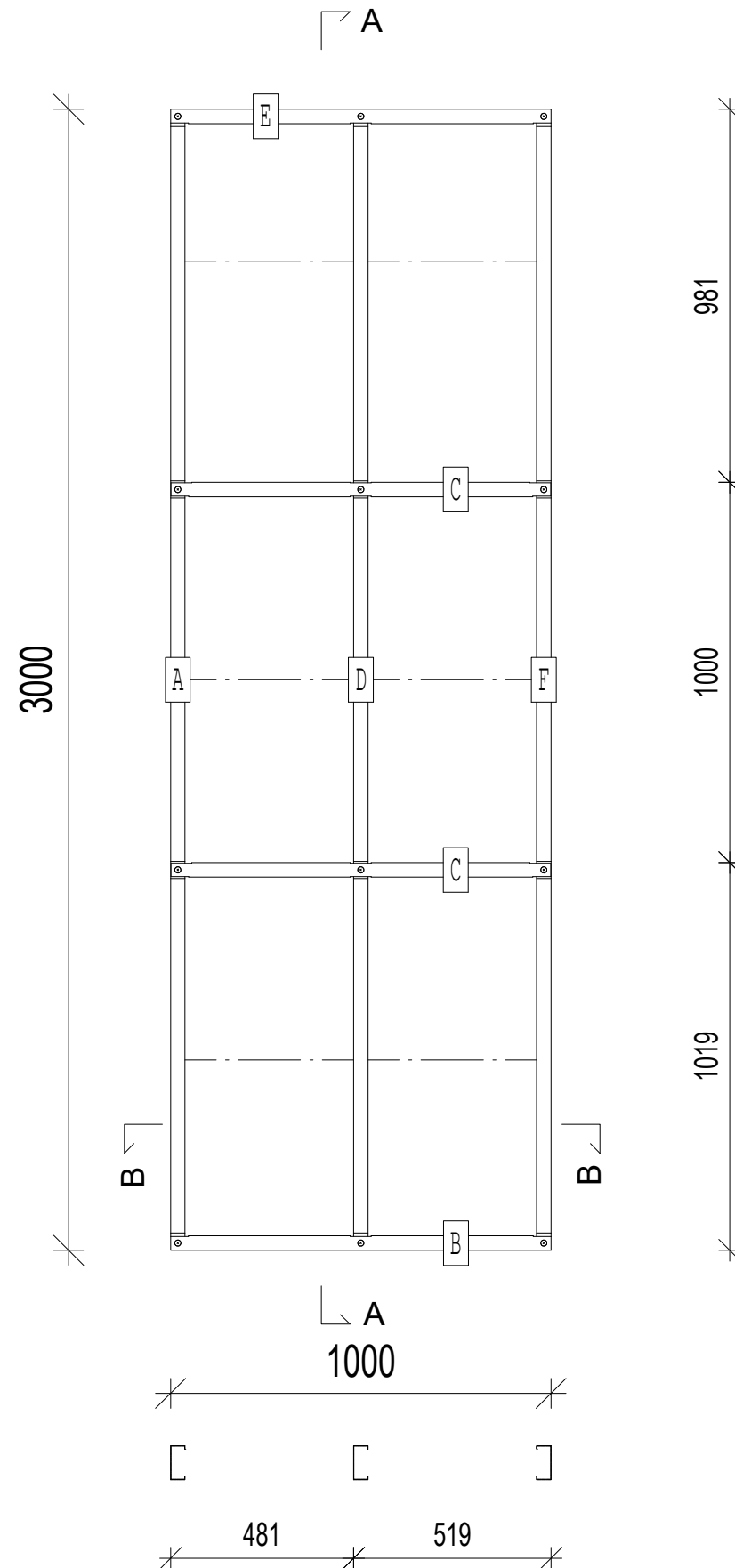
SCHEDULE				
PCE	QTY	MTRL	DESCRIPTION	LENGTH
A	1	C89x38x1.0	STUD	2998
B	1	C89x38x1.0	BOTTOM TRACK	1000
C	2	C89x38x1.0	NOGGIN	998
D	1	C89x38x1.0	STUD	2998
E	1	C89x38x1.0	TOP TRACK	1000
F	1	C89x38x1.0	STUD	2998
Total Length: 12990.00mm				



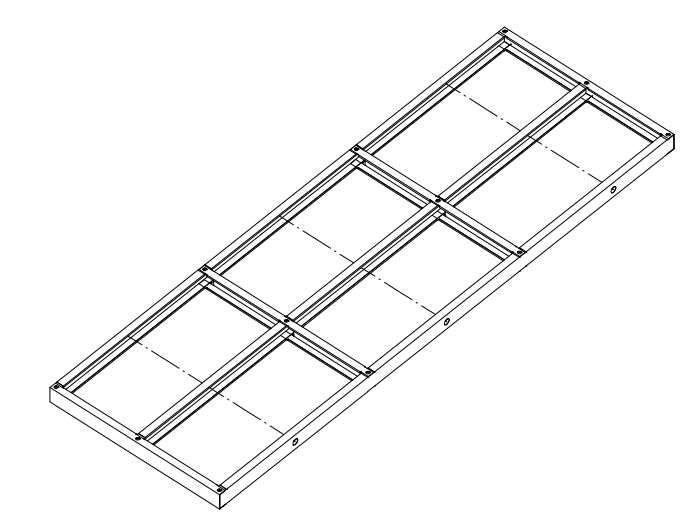
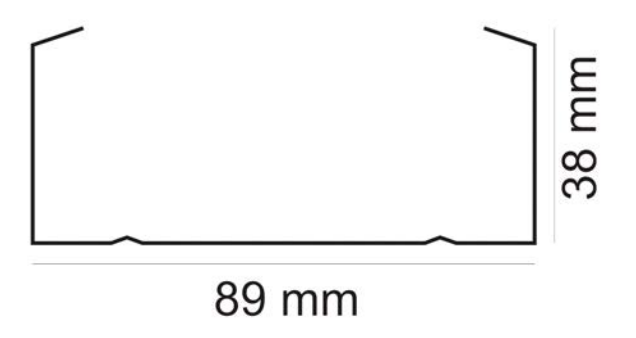
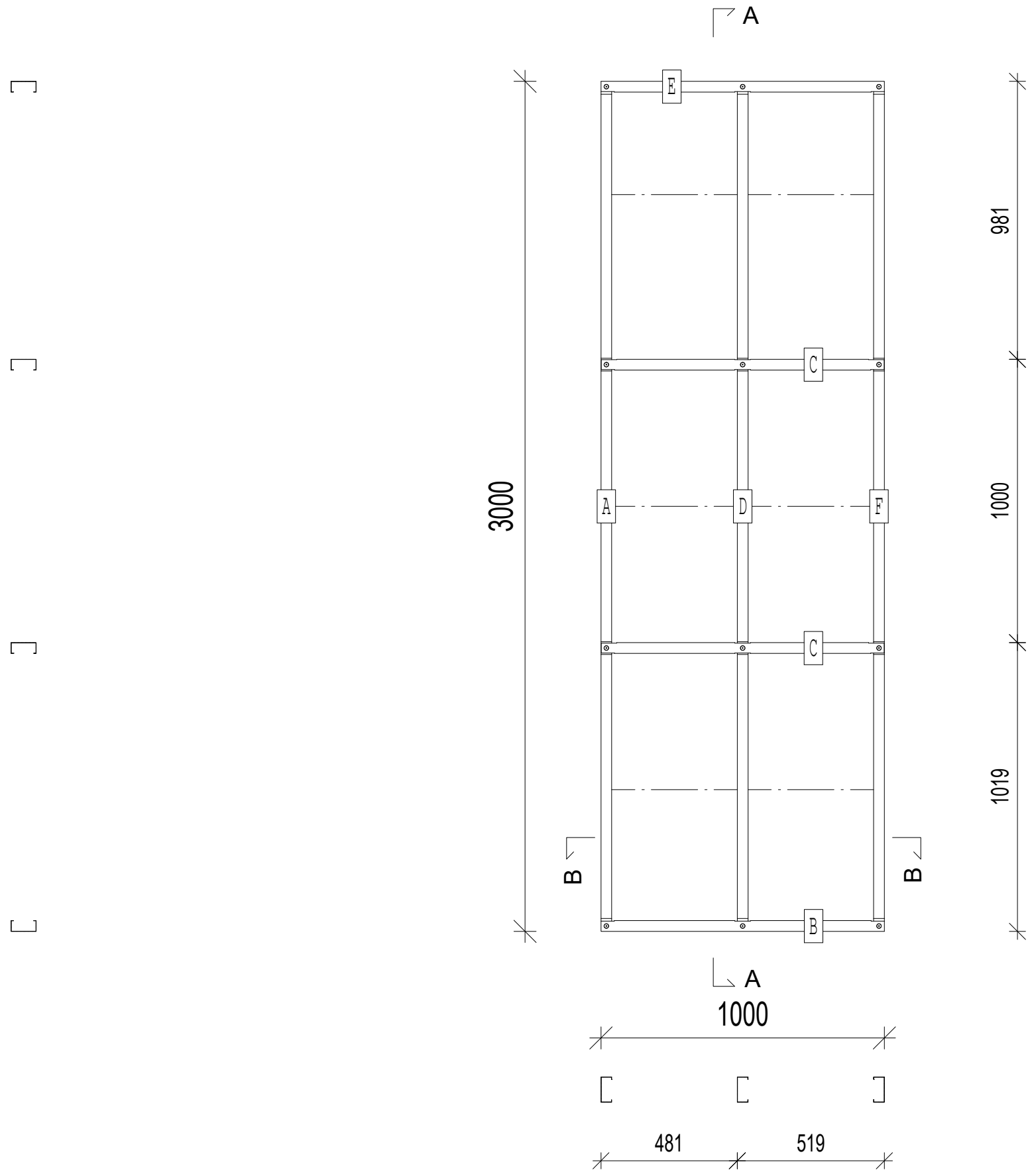
SCHEDULE				
PCE	QTY	MTRL	DESCRIPTION	LENGTH
A	1	C89x38x1.0	STUD	2998
B	1	C89x38x1.0	BOTTOM TRACK	1000
C	2	C89x38x1.0	NOGGIN	998
D	1	C89x38x1.0	STUD	2998
E	1	C89x38x1.0	TOP TRACK	1000
F	1	C89x38x1.0	STUD	2998
Total Length: 12990.00mm				



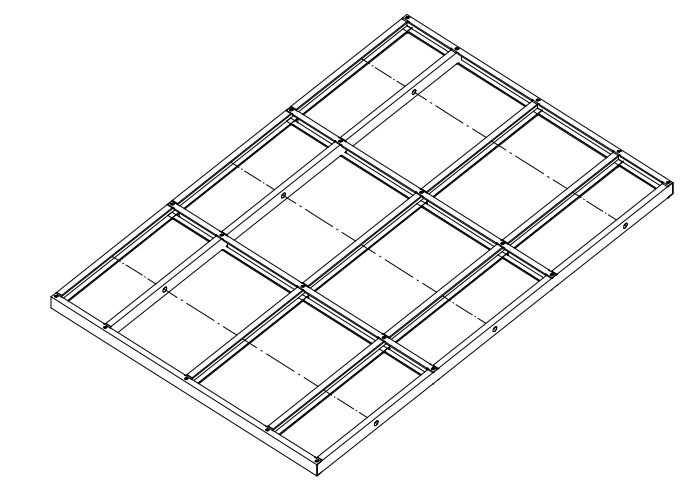
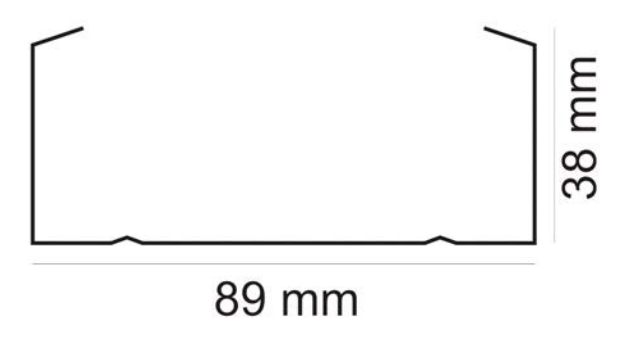
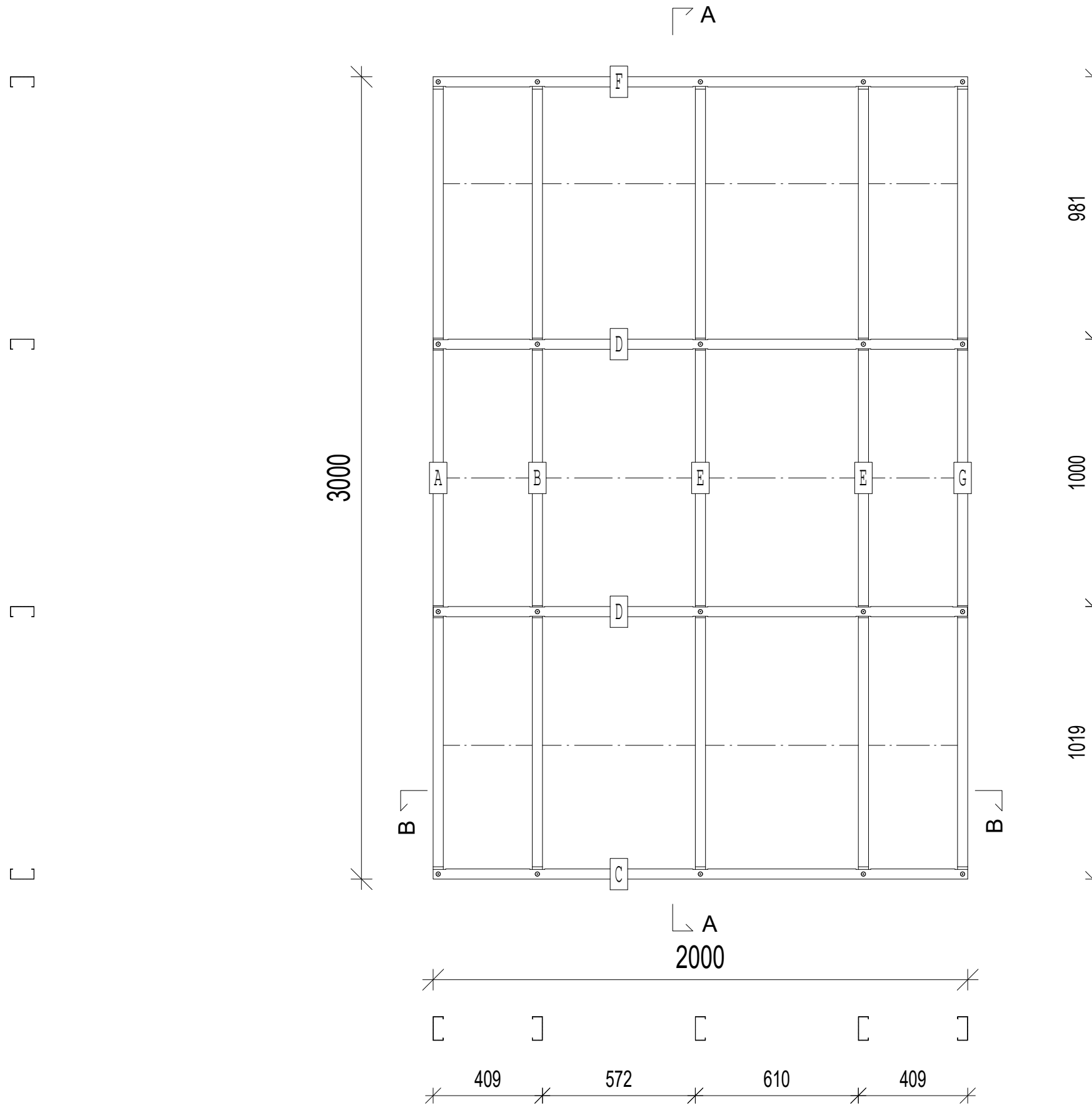
SCHEDULE				
PCE	QTY	MTRL	DESCRIPTION	LENGTH
A	1	C89x38x0.8	STUD	2998
B	1	C89x38x0.8	BOTTOM TRACK	1000
C	2	C89x38x0.8	NOGGIN	998
D	1	C89x38x0.8	STUD	2998
E	1	C89x38x0.8	TOP TRACK	1000
F	1	C89x38x0.8	STUD	2998
Total Length: 12990.00mm				



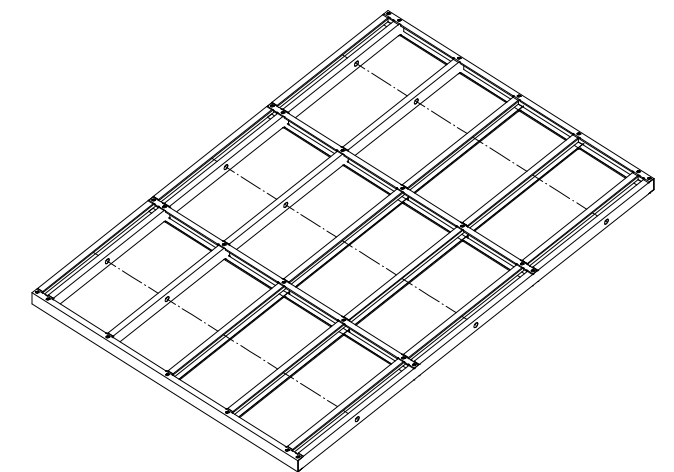
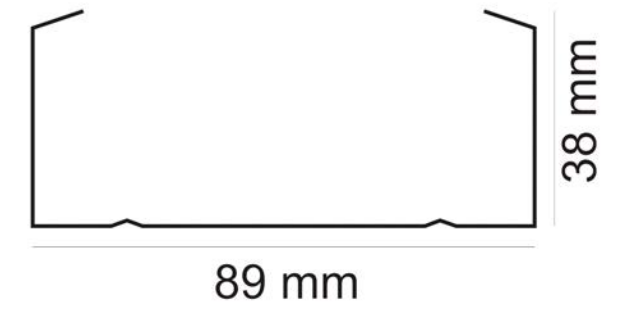
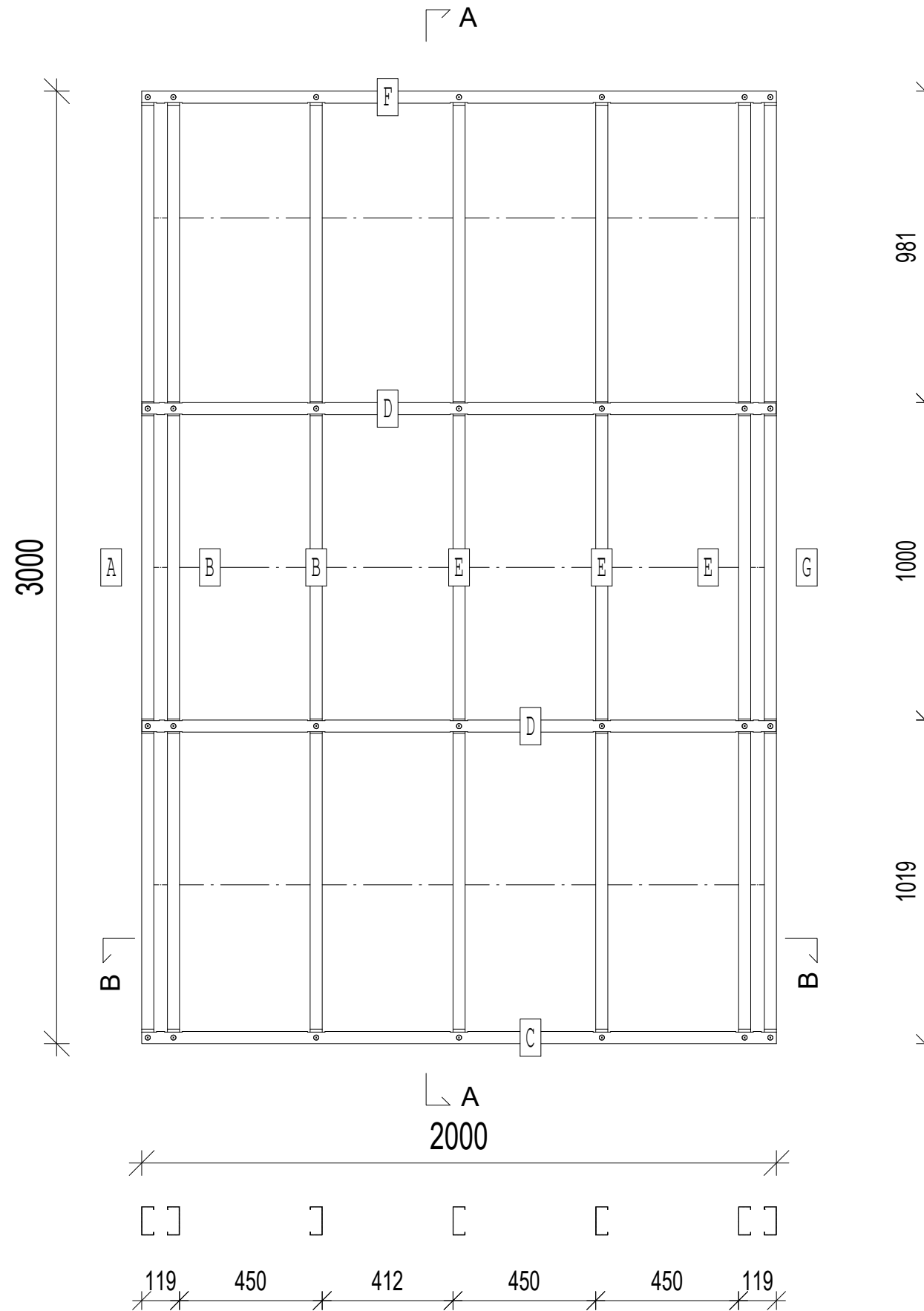
SCHEDULE				
PCE	QTY	MTRL	DESCRIPTION	LENGTH
A	1	C89x38x0.8	STUD	2998
B	1	C89x38x0.8	BOTTOM TRACK	1000
C	2	C89x38x0.8	NOGGIN	998
D	1	C89x38x0.8	STUD	2998
E	1	C89x38x0.8	TOP TRACK	1000
F	1	C89x38x0.8	STUD	2998
Total Length: 12990.00mm				



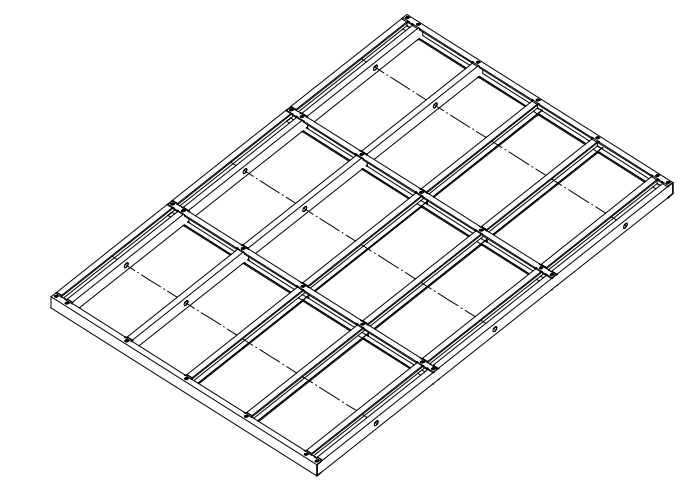
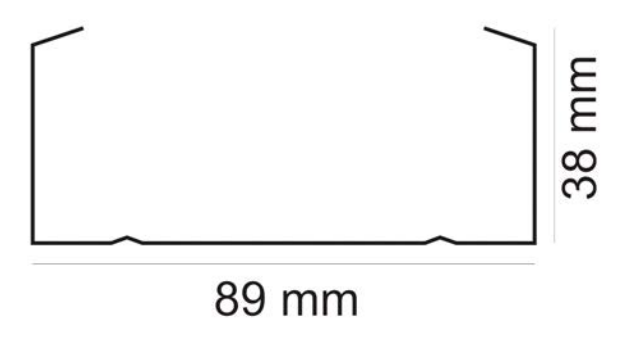
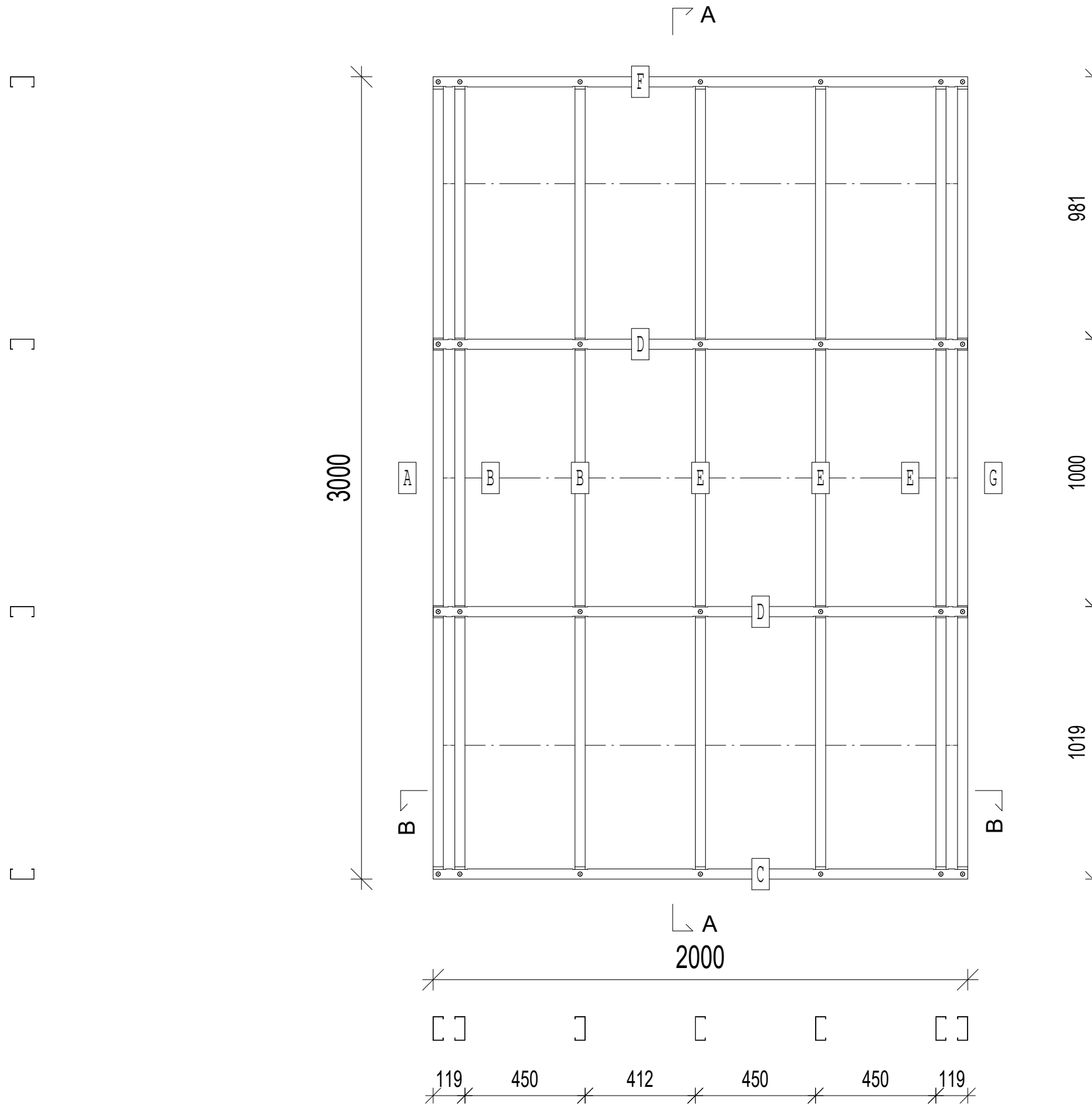
SCHEDULE				
PCE	QTY	MTRL	DESCRIPTION	LENGTH
A	1	C89x38x1.0	STUD	2998
B	1	C89x38x1.0	STUD	2998
C	1	C89x38x1.0	BOTTOM TRACK	2000
D	2	C89x38x1.0	NOGGIN	1998
E	2	C89x38x1.0	STUD	2998
F	1	C89x38x1.0	TOP TRACK	2000
G	1	C89x38x1.0	STUD	2998
Total Length: 22986.00mm				



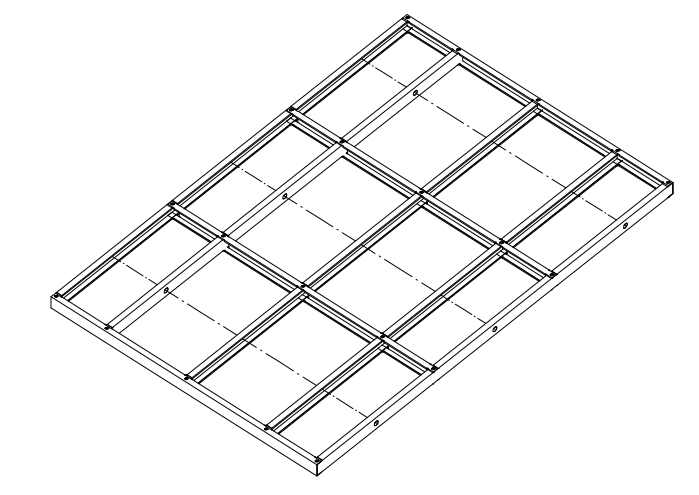
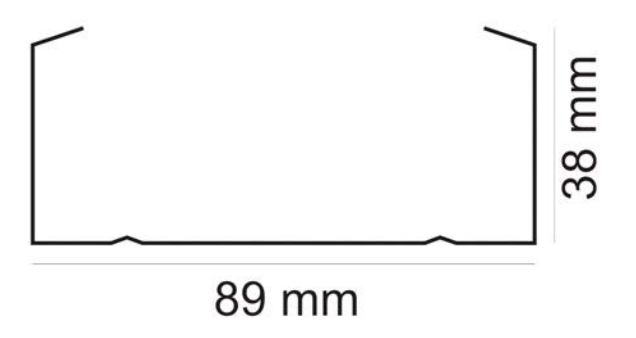
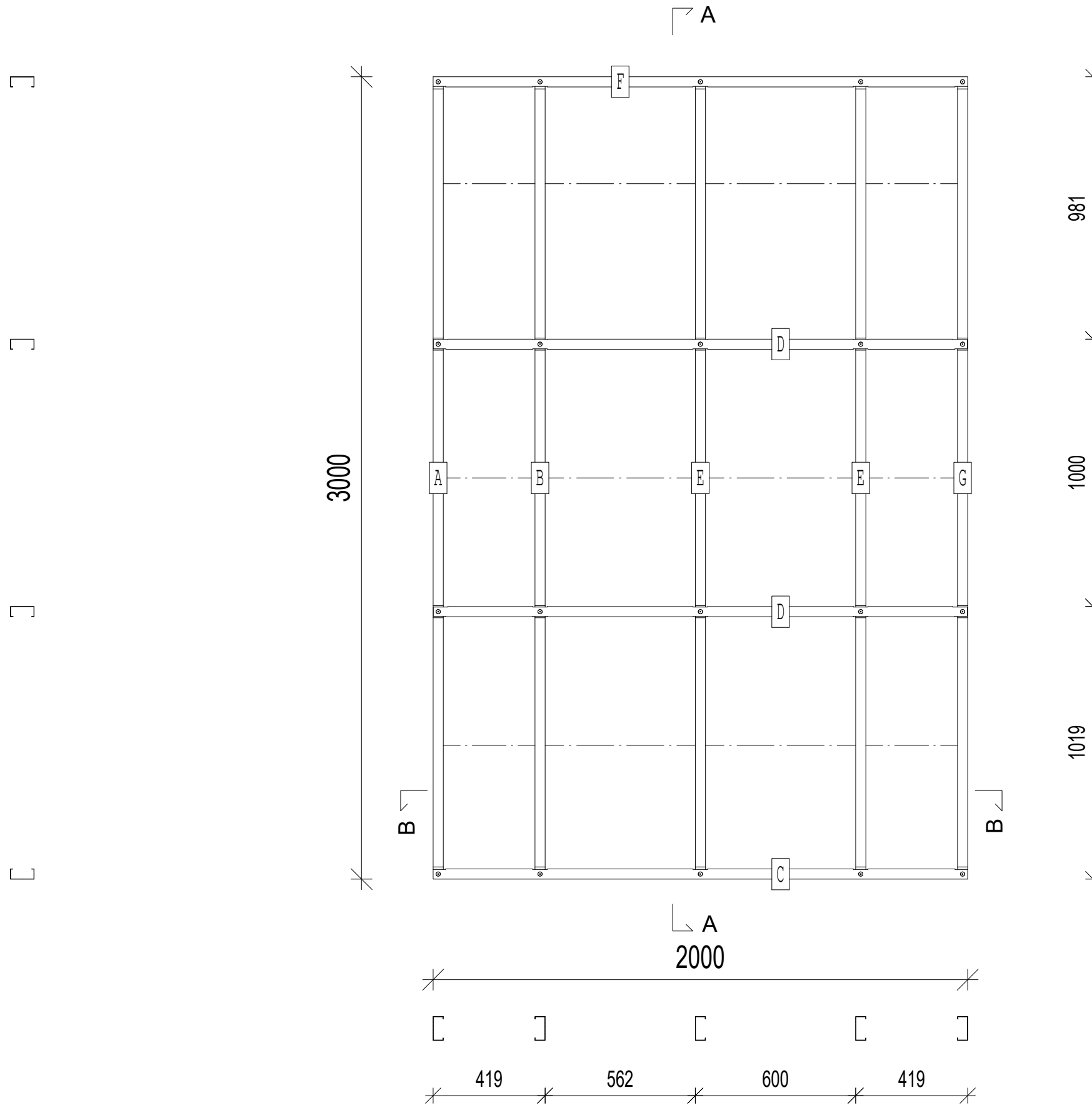
SCHEDULE				
PCE	QTY	MTRL	DESCRIPTION	LENGTH
A	1	C89x38x0.8	STUD	2998
B	2	C89x38x0.8	STUD	2998
C	1	C89x38x0.8	BOTTOM TRACK	2000
D	2	C89x38x0.8	NOGGIN	1998
E	3	C89x38x0.8	STUD	2998
F	1	C89x38x0.8	TOP TRACK	2000
G	1	C89x38x0.8	STUD	2998
Total Length: 28982.00mm				



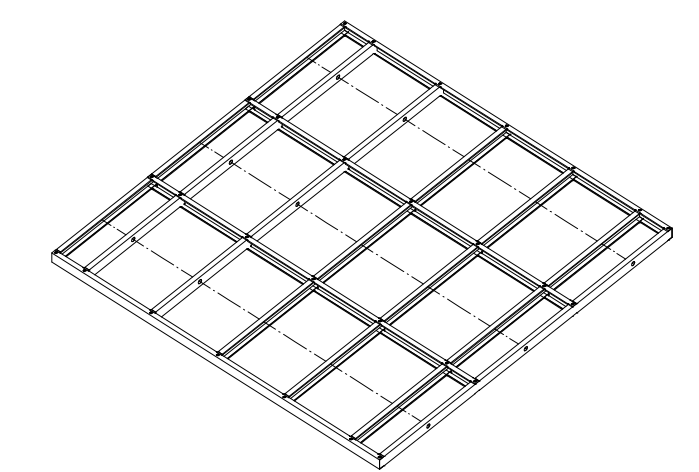
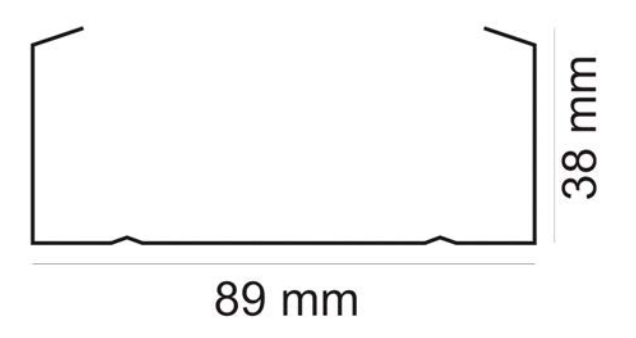
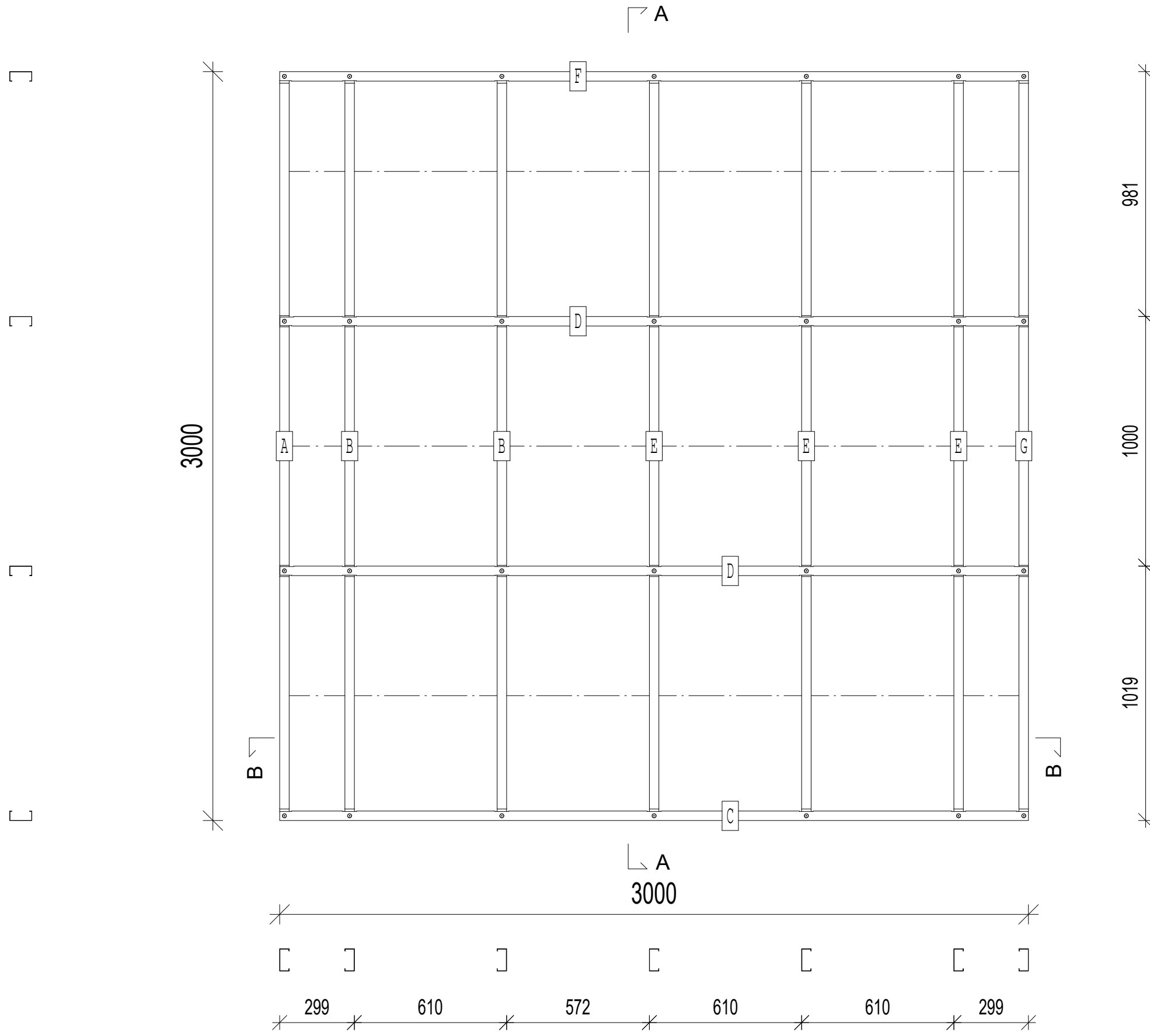
SCHEDULE				
PCE	QTY	MTRL	DESCRIPTION	LENGTH
A	1	C89x38x1.0	STUD	2998
B	2	C89x38x1.0	STUD	2998
C	1	C89x38x1.0	BOTTOM TRACK	2000
D	2	C89x38x1.0	NOGGIN	1998
E	3	C89x38x1.0	STUD	2998
F	1	C89x38x1.0	TOP TRACK	2000
G	1	C89x38x1.0	STUD	2998
Total Length: 28982.00mm				



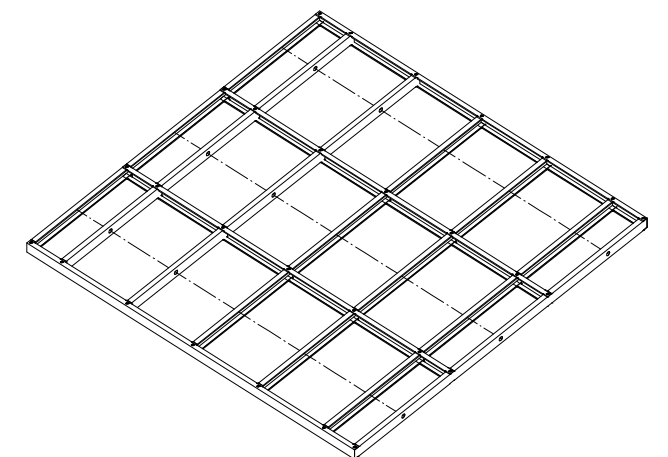
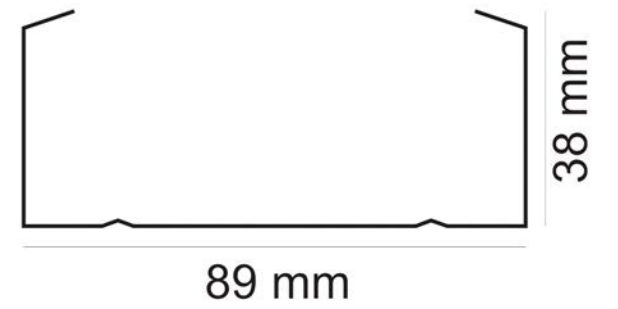
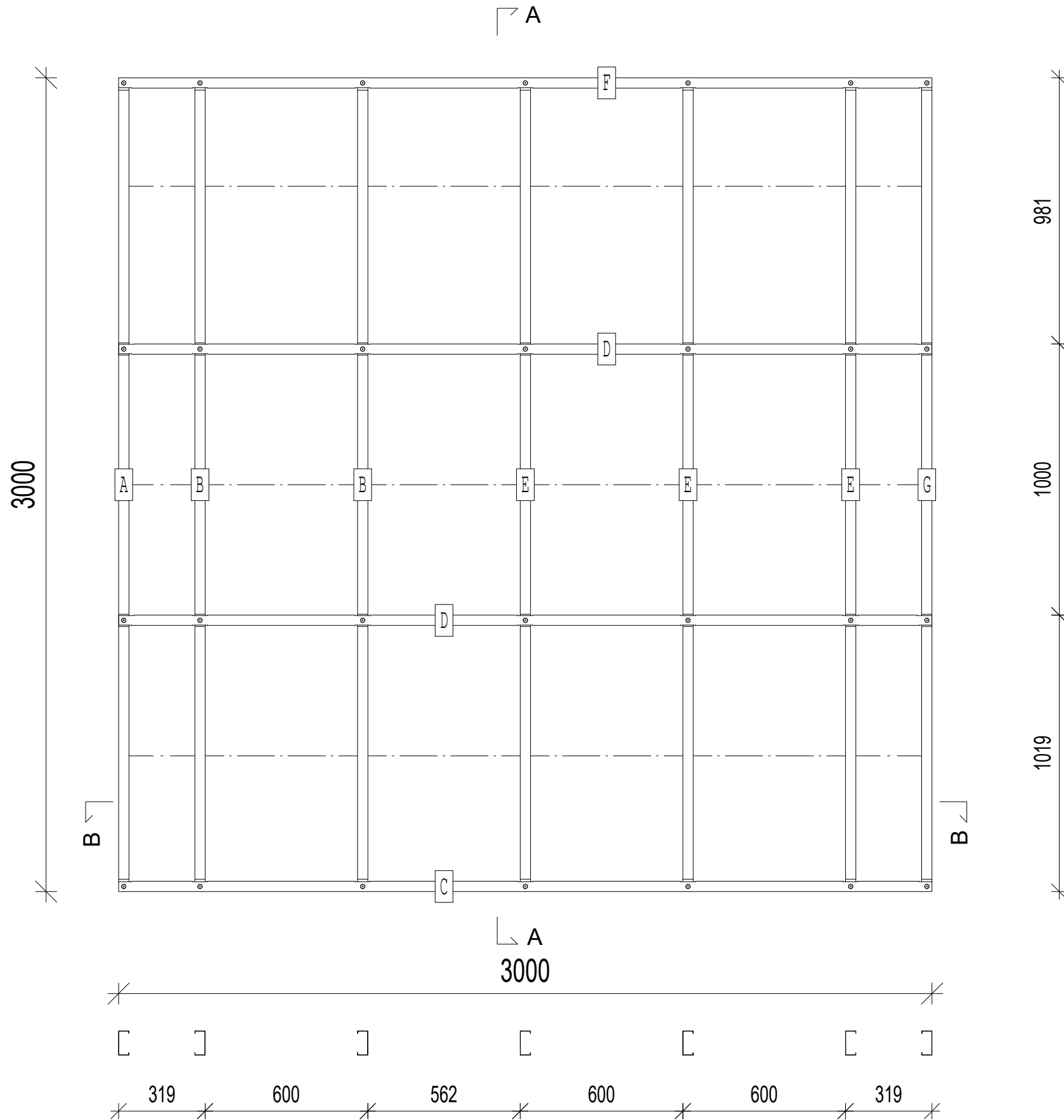
SCHEDULE				
PCE	QTY	MTRL	DESCRIPTION	LENGTH
A	1	C89x38x0.8	STUD	2998
B	1	C89x38x0.8	STUD	2998
C	1	C89x38x0.8	BOTTOM TRACK	2000
D	2	C89x38x0.8	NOGGIN	1998
E	2	C89x38x0.8	STUD	2998
F	1	C89x38x0.8	TOP TRACK	2000
G	1	C89x38x0.8	STUD	2998
Total Length: 22986.00mm				



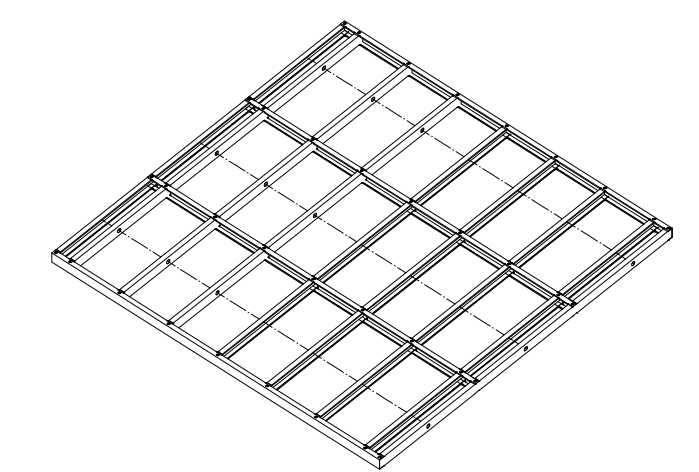
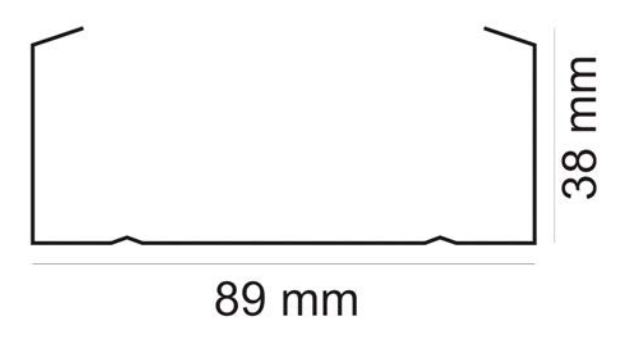
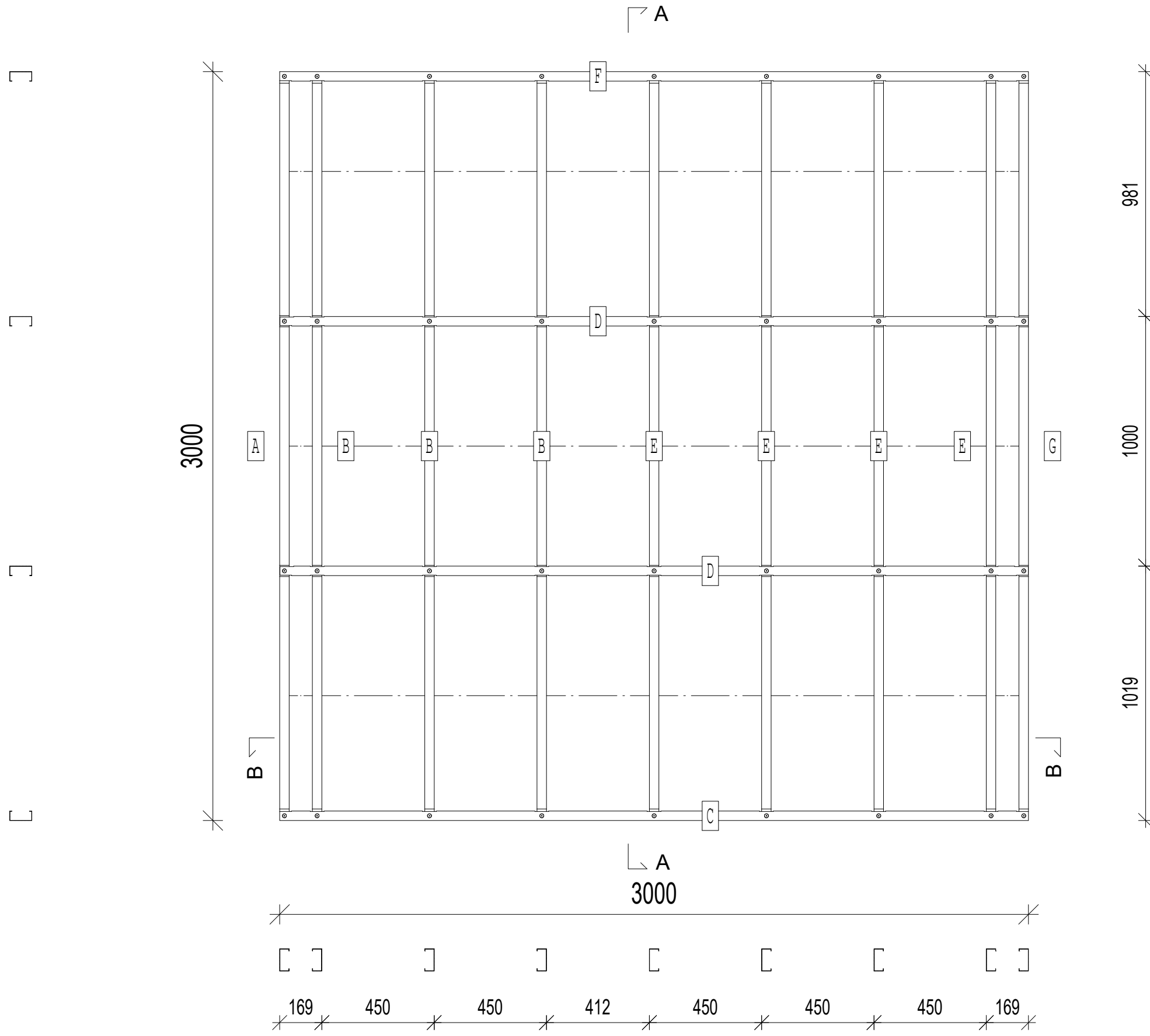
SCHEDULE				
PCE	QTY	MTRL	DESCRIPTION	LENGTH
A	1	C89x38x1.0	STUD	2998
B	2	C89x38x1.0	STUD	2998
C	1	C89x38x1.0	BOTTOM TRACK	3000
D	2	C89x38x1.0	NOGGIN	2998
E	3	C89x38x1.0	STUD	2998
F	1	C89x38x1.0	TOP TRACK	3000
G	1	C89x38x1.0	STUD	2998
Total Length: 32982.00mm				



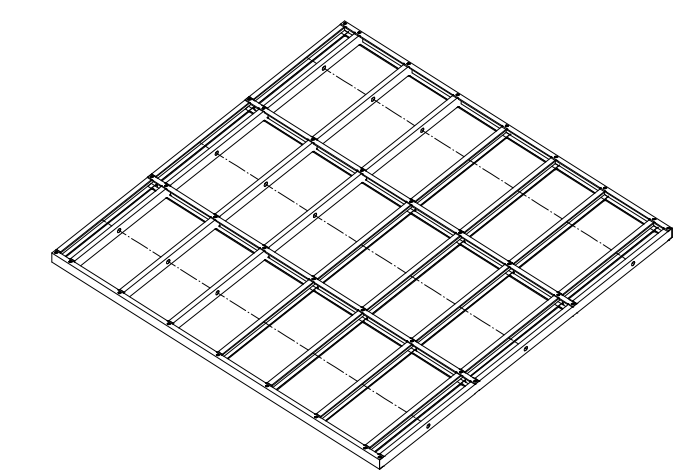
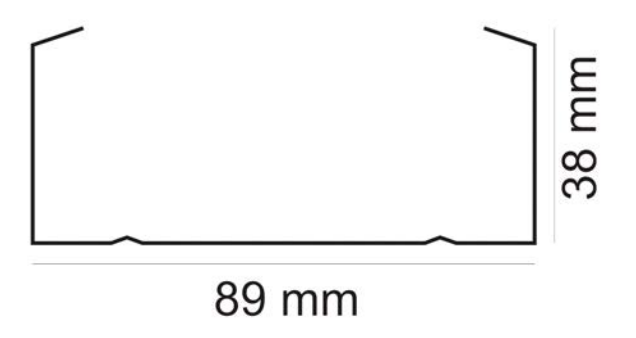
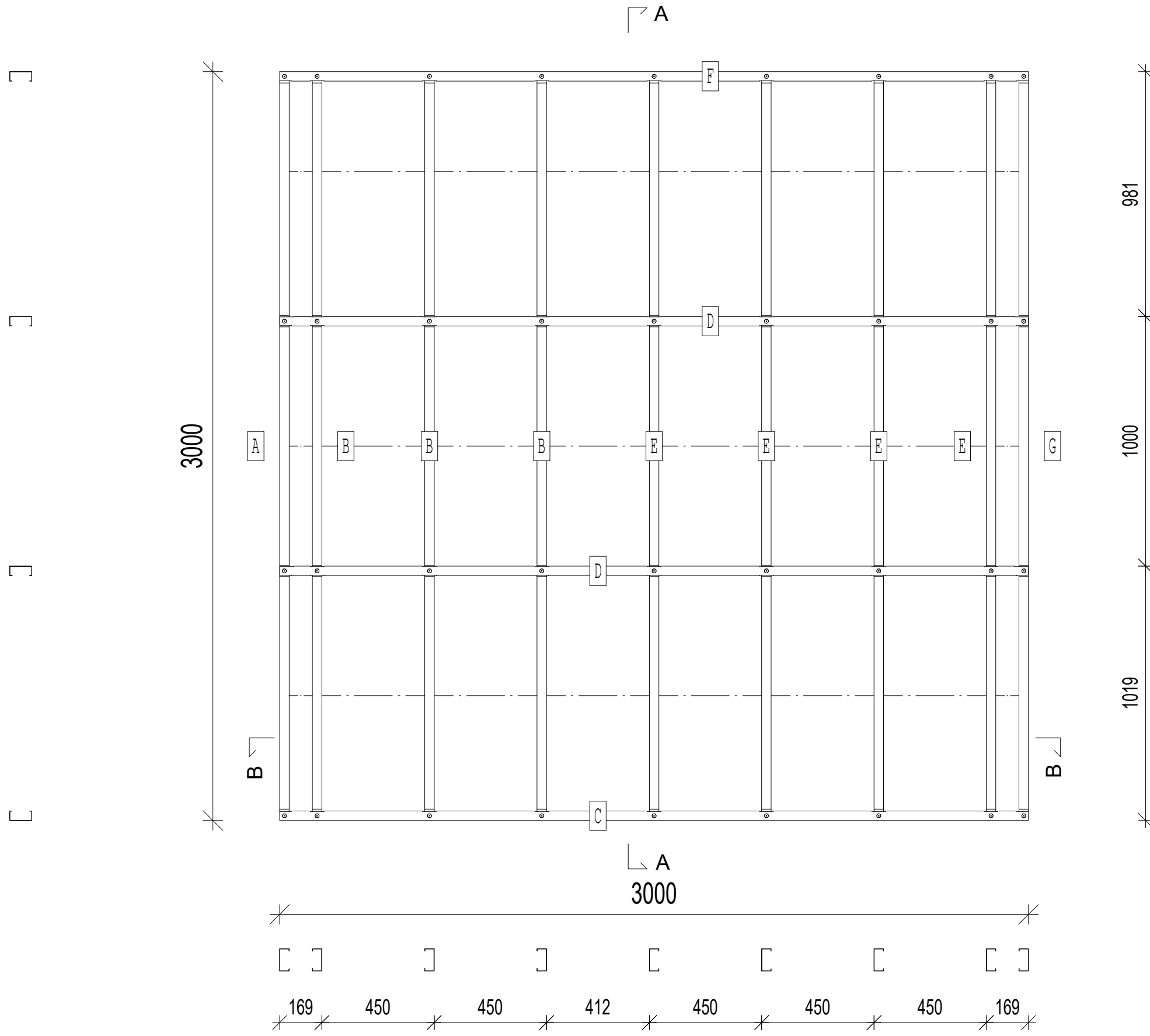
SCHEDULE				
PCE	QTY	MTRL	DESCRIPTION	LENGTH
A	1	C89x38x0.8	STUD	2998
B	2	C89x38x0.8	STUD	2998
C	1	C89x38x0.8	BOTTOM TRACK	3000
D	2	C89x38x0.8	NOGGIN	2998
E	3	C89x38x0.8	STUD	2998
F	1	C89x38x0.8	TOP TRACK	3000
G	1	C89x38x0.8	STUD	2998
Total Length: 32982.00mm				



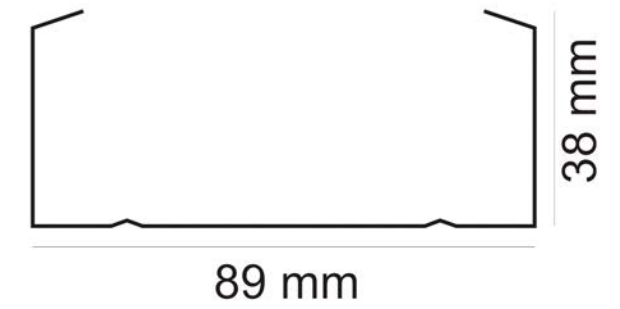
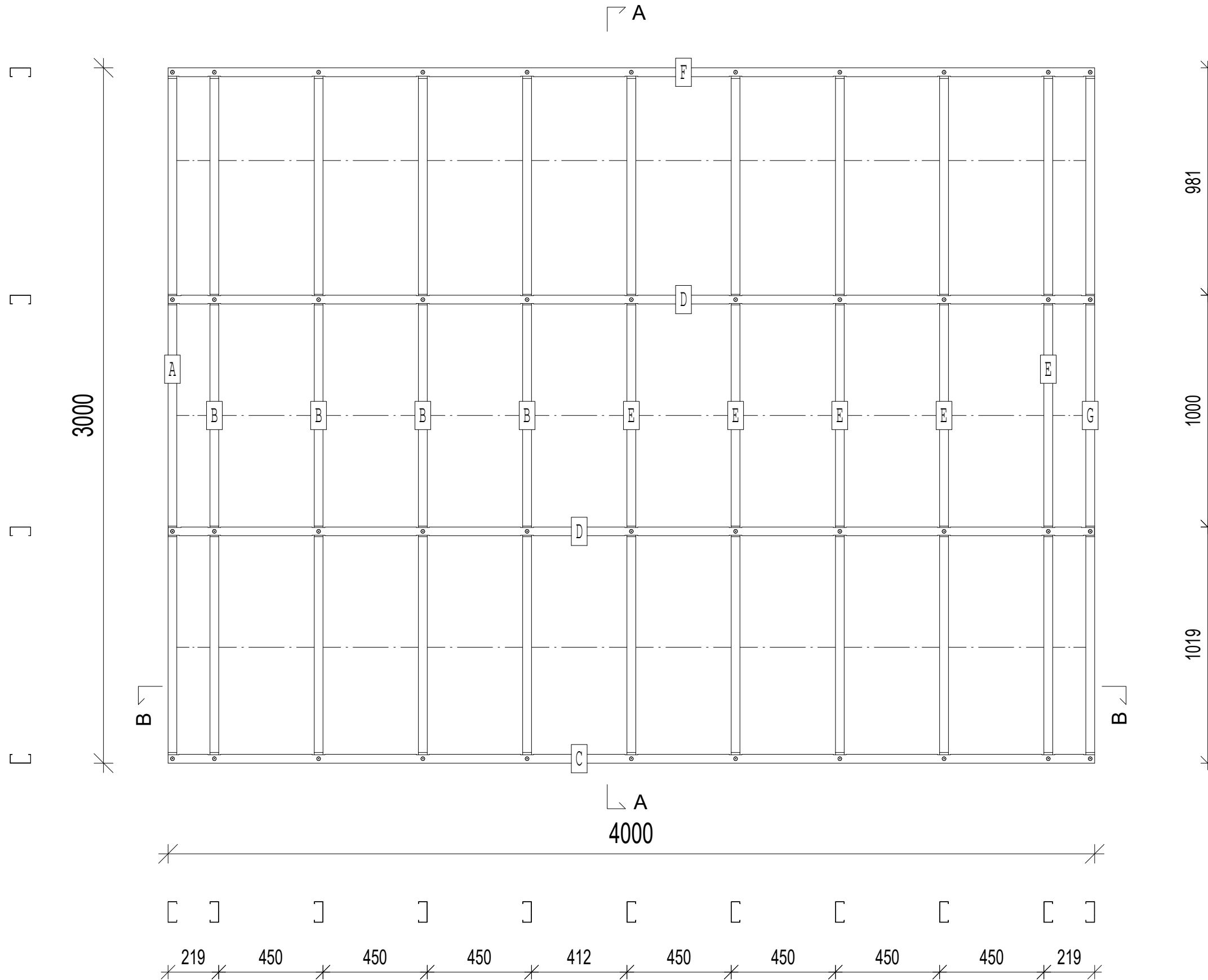
SCHEDULE				
PCE	QTY	MTRL	DESCRIPTION	LENGTH
A	1	C89x38x1.0	STUD	2998
B	3	C89x38x1.0	STUD	2998
C	1	C89x38x1.0	BOTTOM TRACK	3000
D	2	C89x38x1.0	NOGGIN	2998
E	4	C89x38x1.0	STUD	2998
F	1	C89x38x1.0	TOP TRACK	3000
G	1	C89x38x1.0	STUD	2998
Total Length: 38978.00mm				



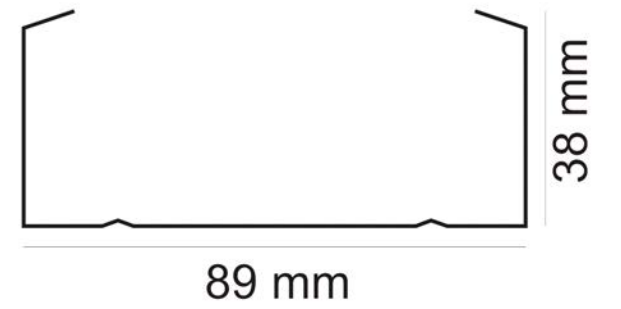
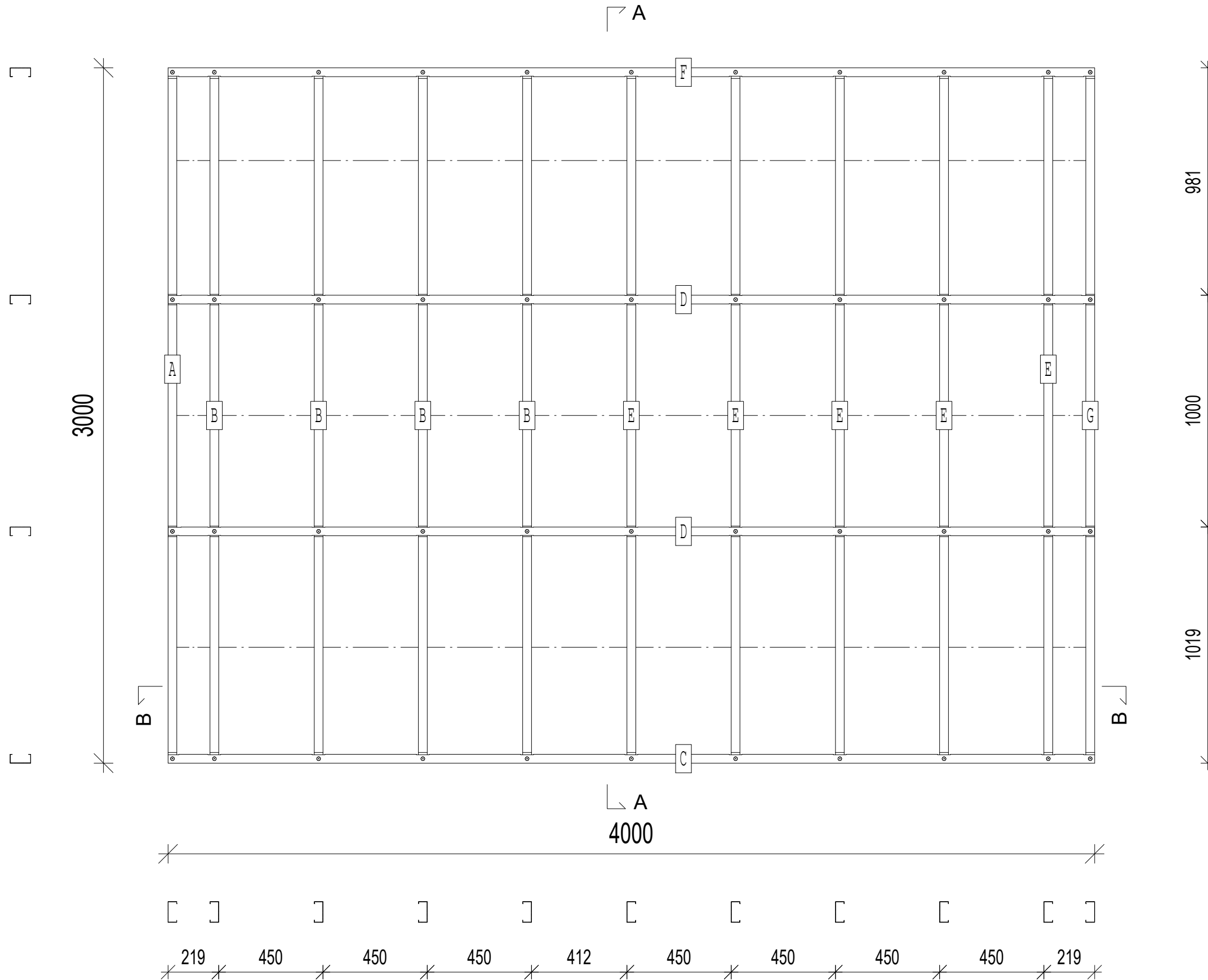
SCHEDULE				
PCE	QTY	MTRL	DESCRIPTION	LENGTH
A	1	C89x38x0.8	STUD	2998
B	3	C89x38x0.8	STUD	2998
C	1	C89x38x0.8	BOTTOM TRACK	3000
D	2	C89x38x0.8	NOGGIN	2998
E	4	C89x38x0.8	STUD	2998
F	1	C89x38x0.8	TOP TRACK	3000
G	1	C89x38x0.8	STUD	2998
Total Length: 38978.00mm				



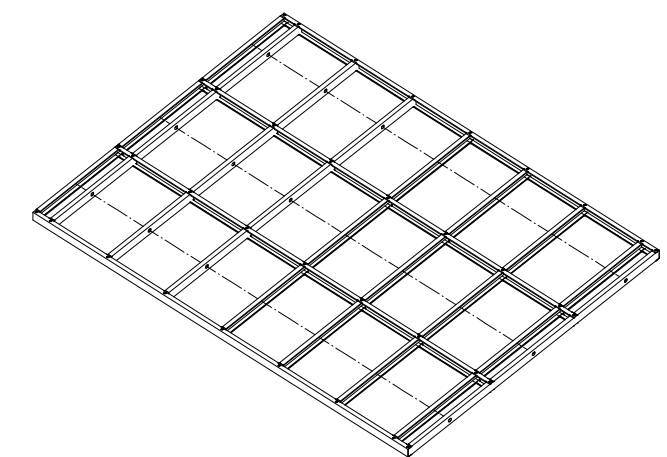
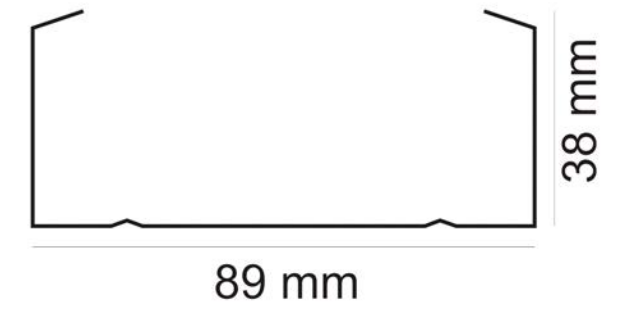
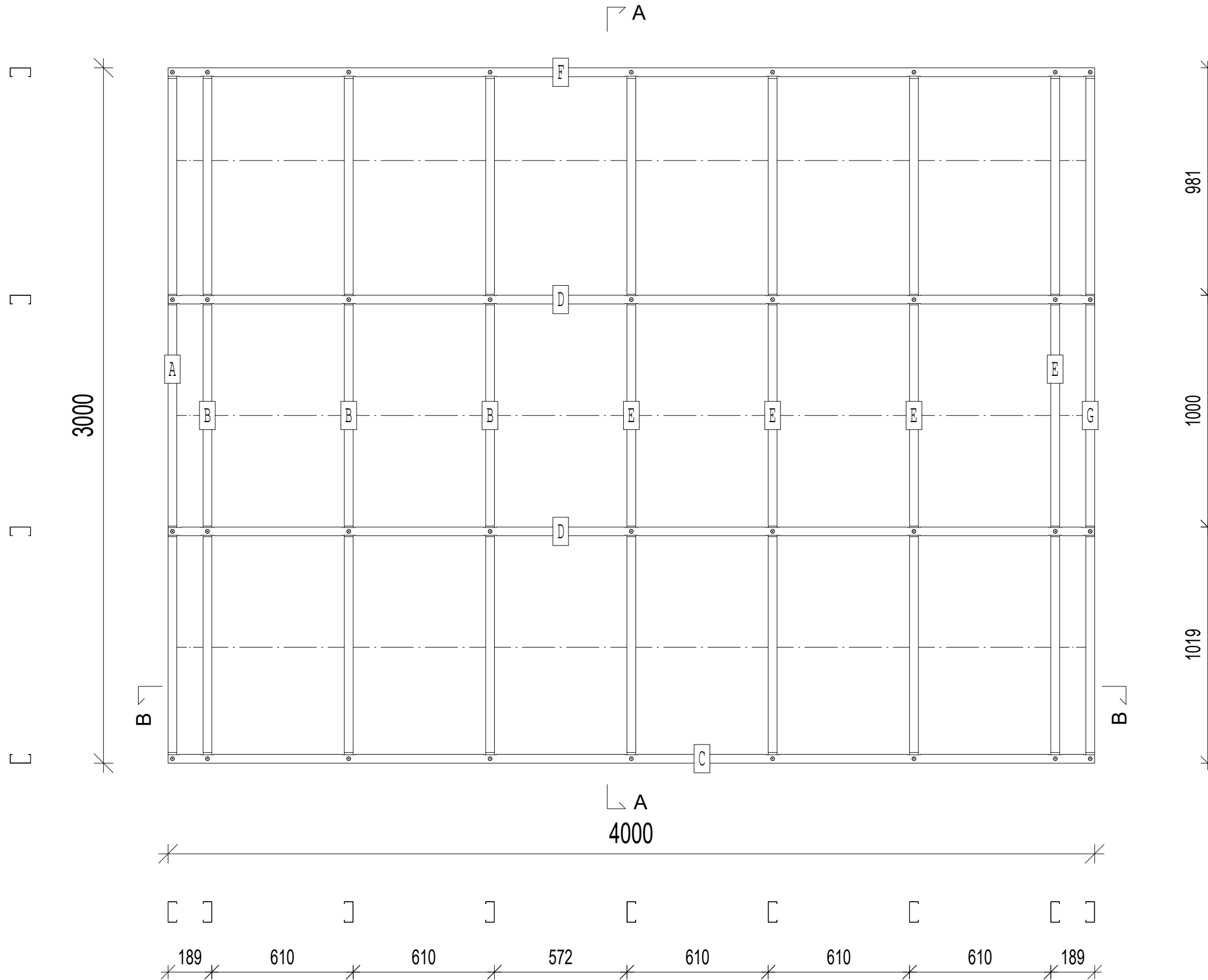
SCHEDULE				
PCE	QTY	MTRL	DESCRIPTION	LENGTH
A	1	C89x38x1.0	STUD	2998
B	4	C89x38x1.0	STUD	2998
C	1	C89x38x1.0	BOTTOM TRACK	4000
D	2	C89x38x1.0	NOGGIN	3998
E	5	C89x38x1.0	STUD	2998
F	1	C89x38x1.0	TOP TRACK	4000
G	1	C89x38x1.0	STUD	2998
Total Length: 48974.00mm				



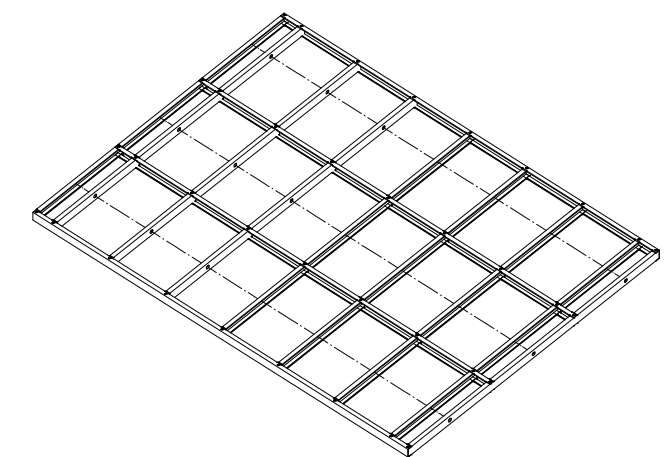
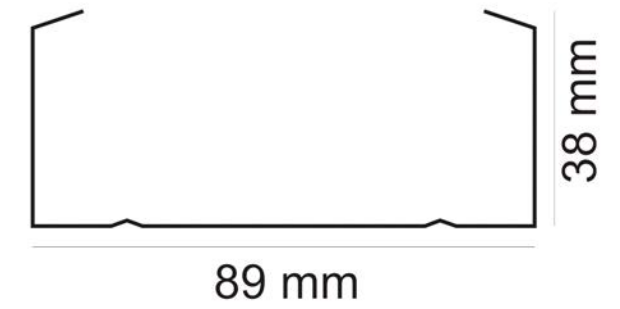
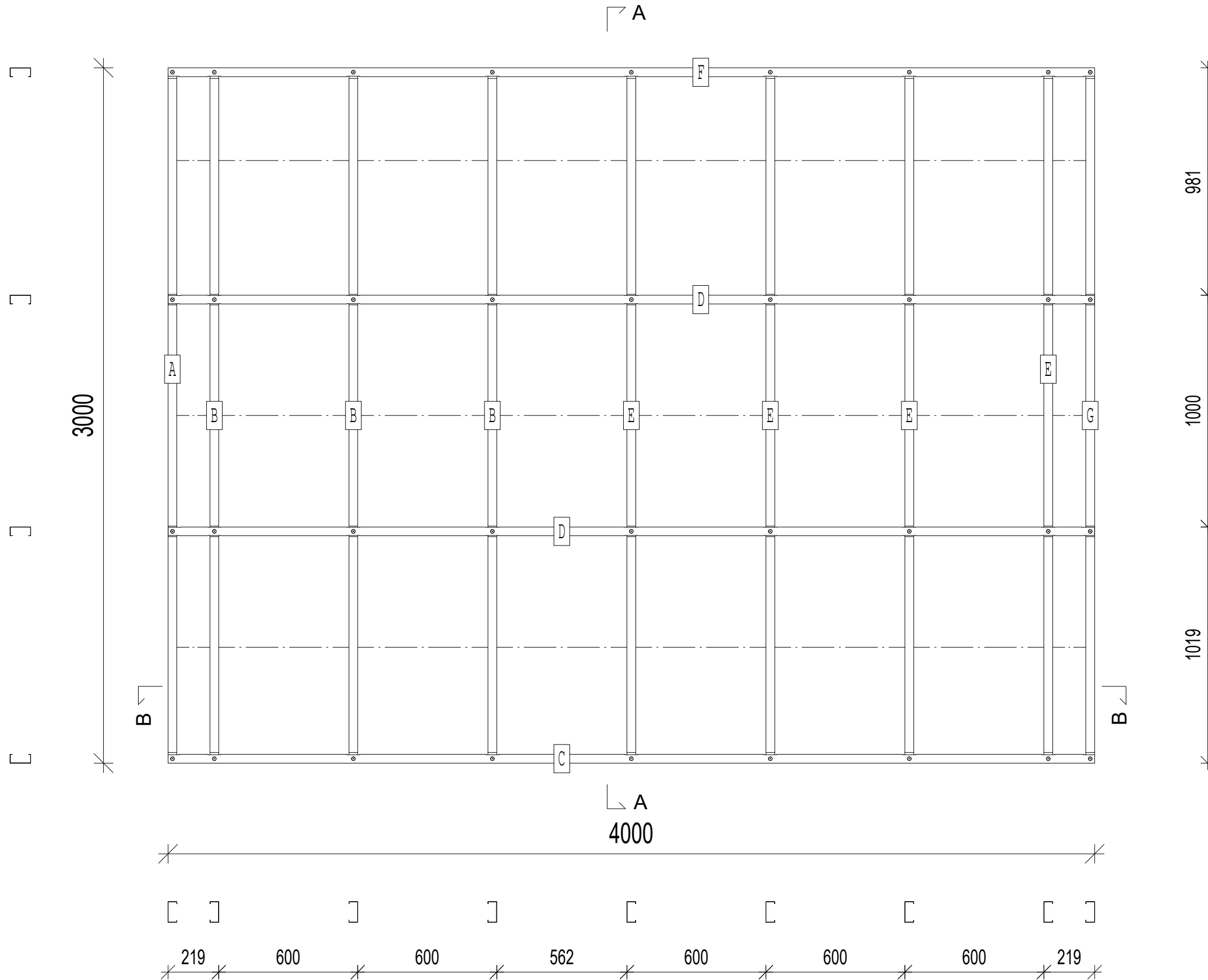
SCHEDULE				
PCE	QTY	MTRL	DESCRIPTION	LENGTH
A	1	C89x38x0.8	STUD	2998
B	4	C89x38x0.8	STUD	2998
C	1	C89x38x0.8	BOTTOM TRACK	4000
D	2	C89x38x0.8	NOGGIN	3998
E	5	C89x38x0.8	STUD	2998
F	1	C89x38x0.8	TOP TRACK	4000
G	1	C89x38x0.8	STUD	2998
Total Length: 48974.00mm				



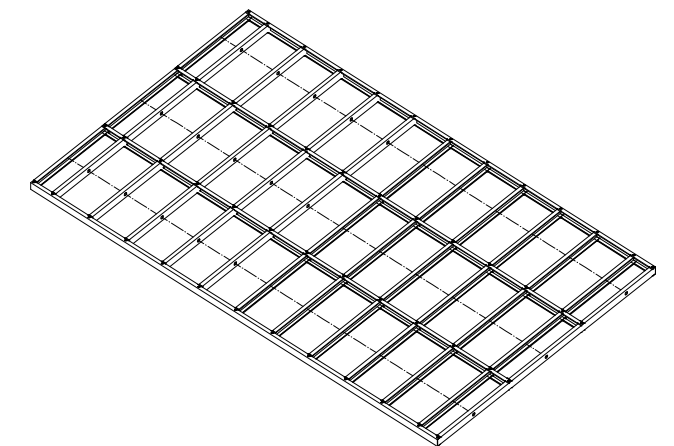
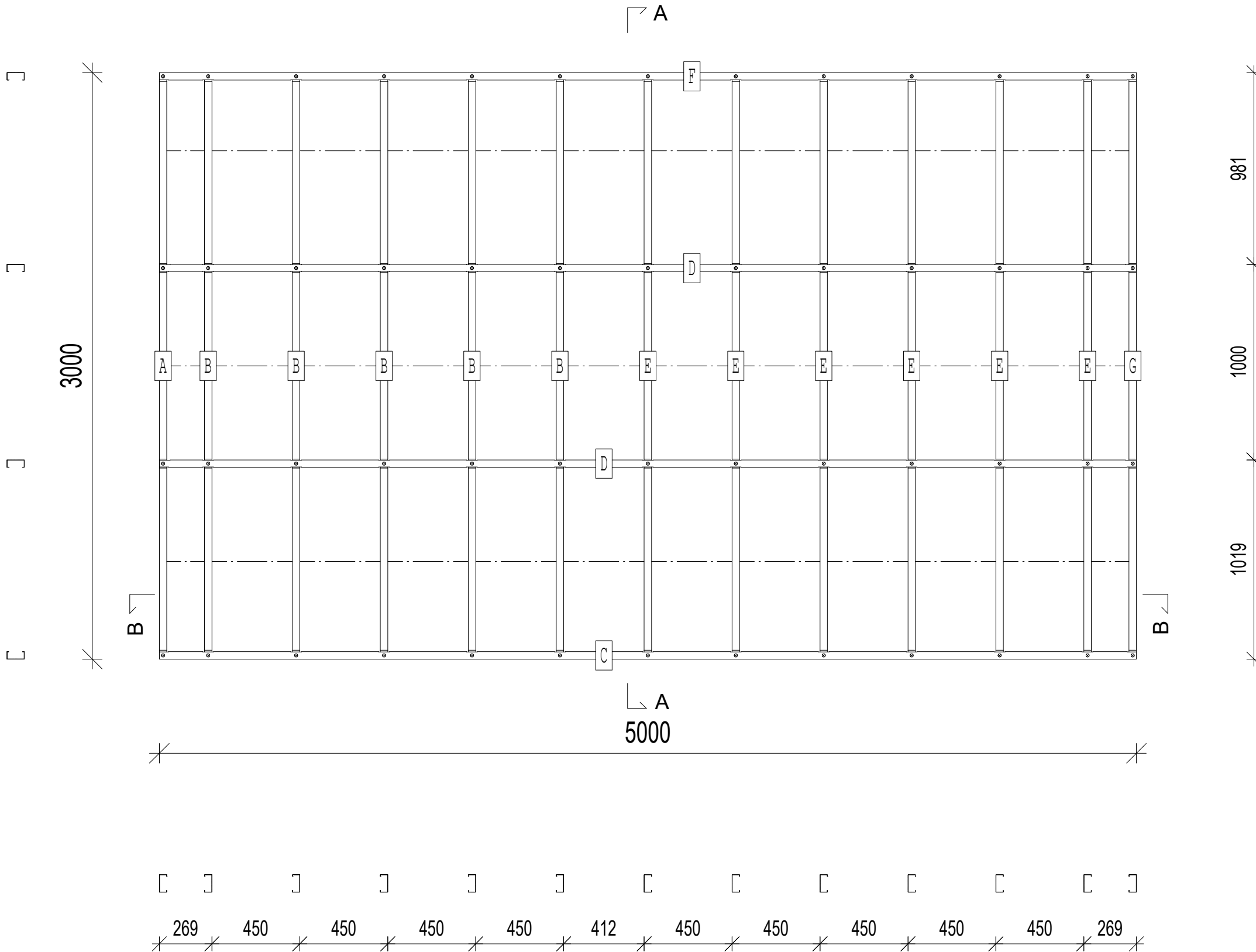
SCHEDULE				
PCE	QTY	MTRL	DESCRIPTION	LENGTH
A	1	C89x38x1.0	STUD	2998
B	3	C89x38x1.0	STUD	2998
C	1	C89x38x1.0	BOTTOM TRACK	4000
D	2	C89x38x1.0	NOGGIN	3998
E	4	C89x38x1.0	STUD	2998
F	1	C89x38x1.0	TOP TRACK	4000
G	1	C89x38x1.0	STUD	2998
Total Length: 42978.00mm				



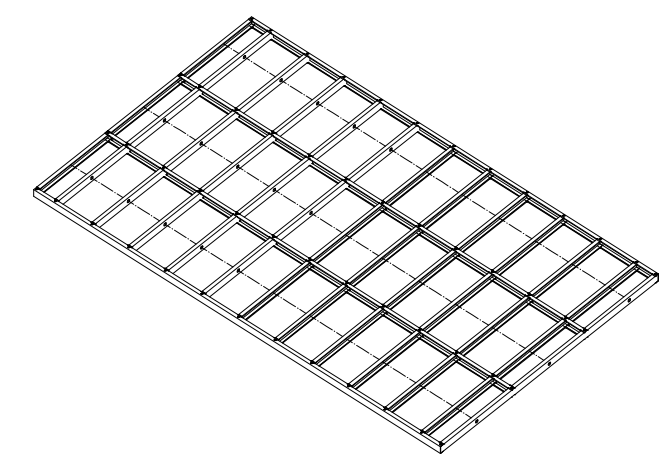
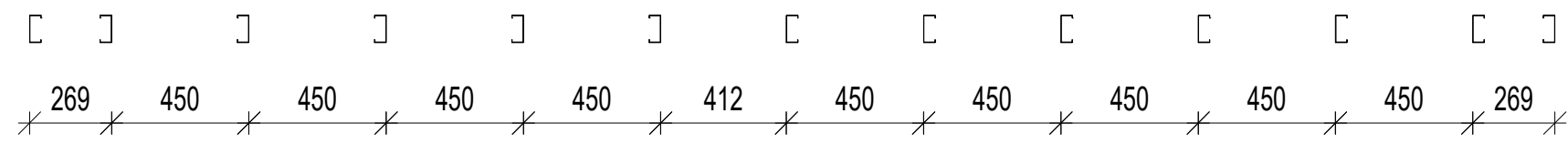
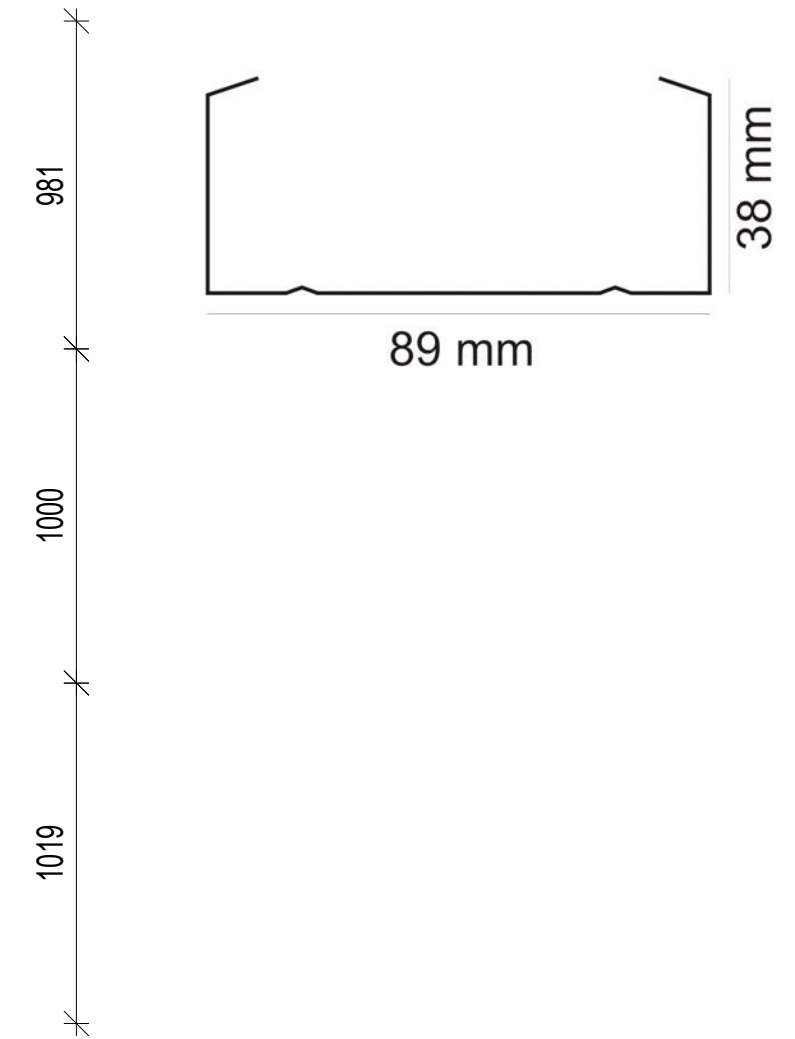
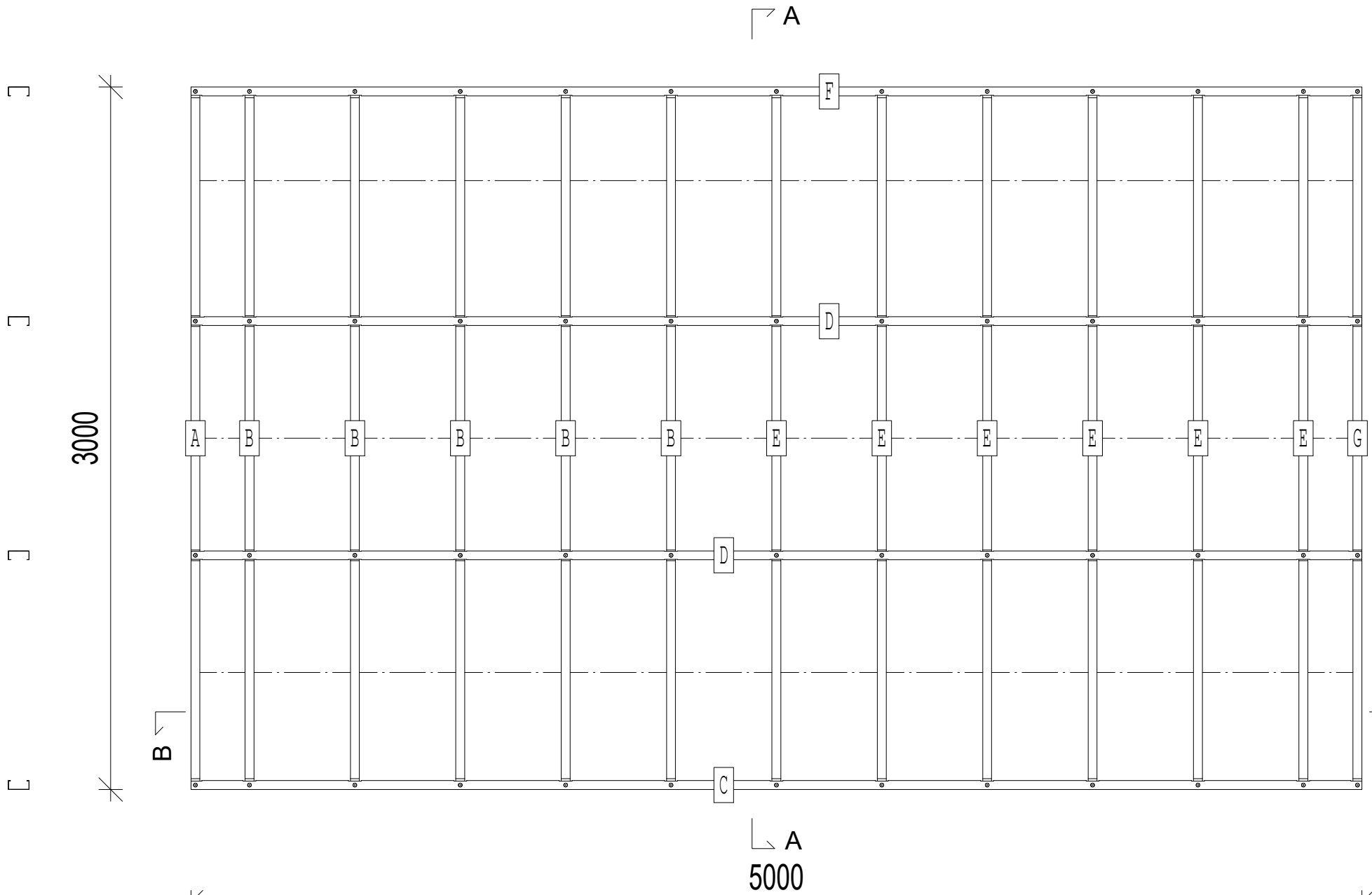
SCHEDULE				
PCE	QTY	MTRL	DESCRIPTION	LENGTH
A	1	C89x38x0.8	STUD	2998
B	3	C89x38x0.8	STUD	2998
C	1	C89x38x0.8	BOTTOM TRACK	4000
D	2	C89x38x0.8	NOGGIN	3998
E	4	C89x38x0.8	STUD	2998
F	1	C89x38x0.8	TOP TRACK	4000
G	1	C89x38x0.8	STUD	2998
Total Length: 42978.00mm				



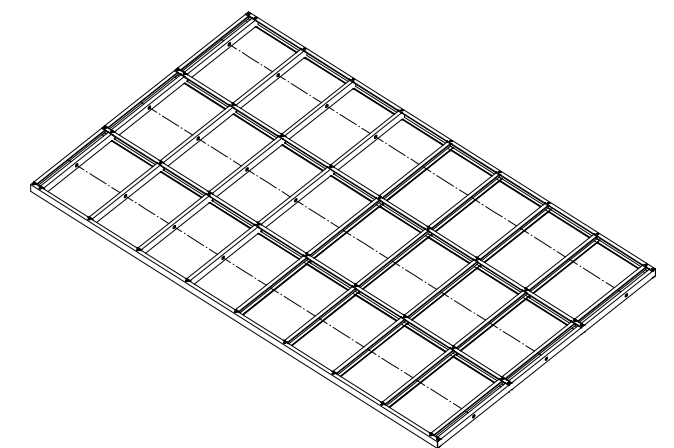
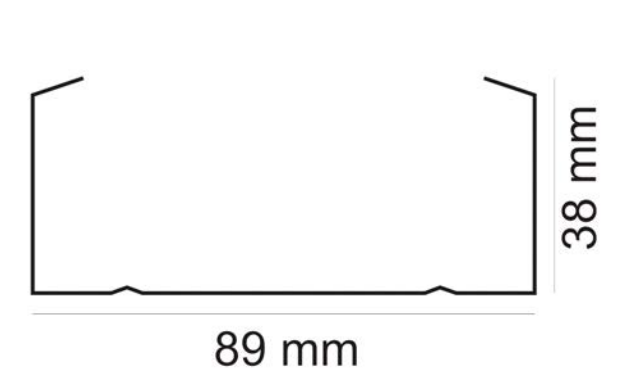
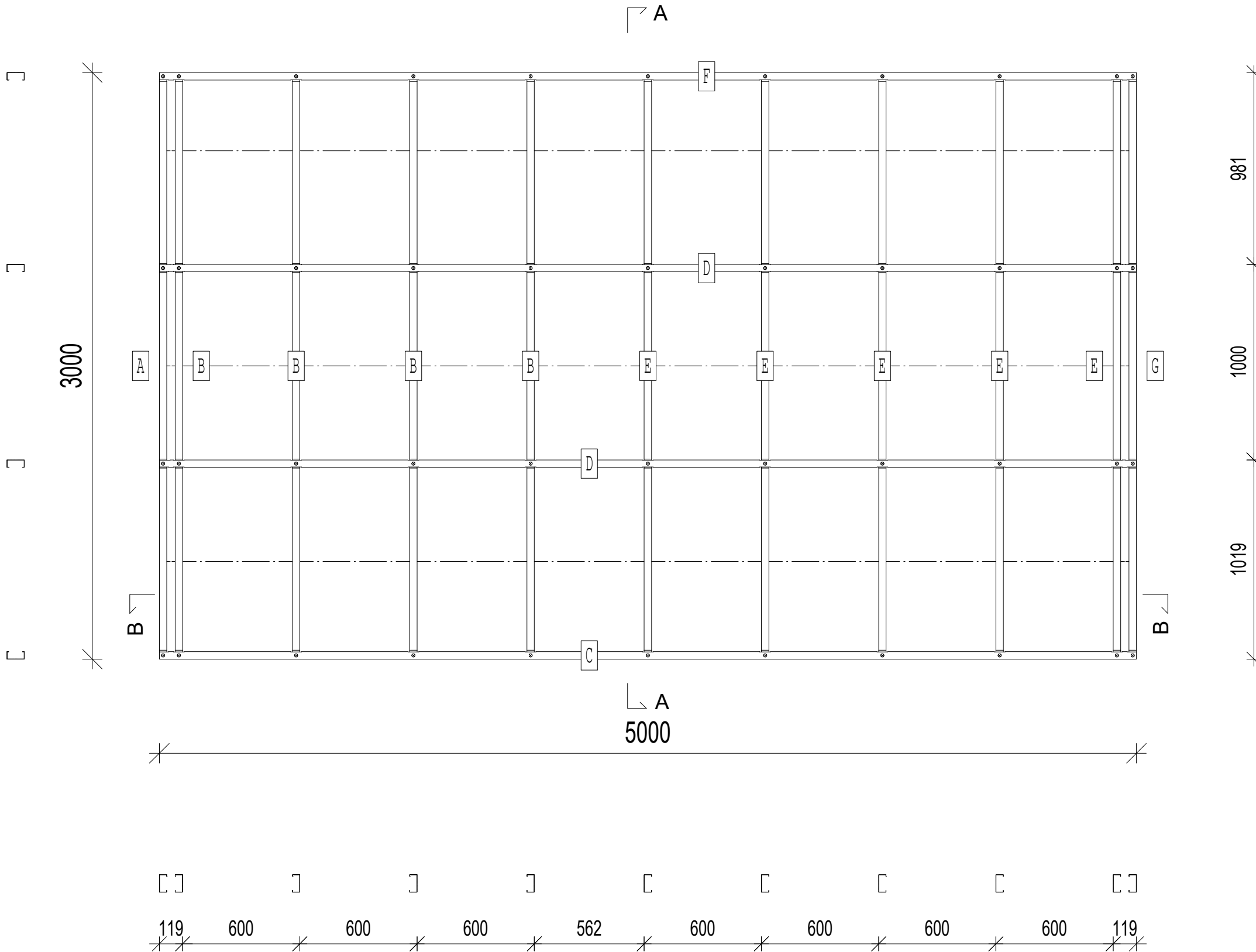
SCHEDULE				
PCE	QTY	MTRL	DESCRIPTION	LENGTH
A	1	C89x38x0.8	STUD	2998
B	5	C89x38x0.8	STUD	2998
C	1	C89x38x0.8	BOTTOM TRACK	5000
D	2	C89x38x0.8	NOGGIN	4998
E	6	C89x38x0.8	STUD	2998
F	1	C89x38x0.8	TOP TRACK	5000
G	1	C89x38x0.8	STUD	2998
Total Length: 58970.00mm				



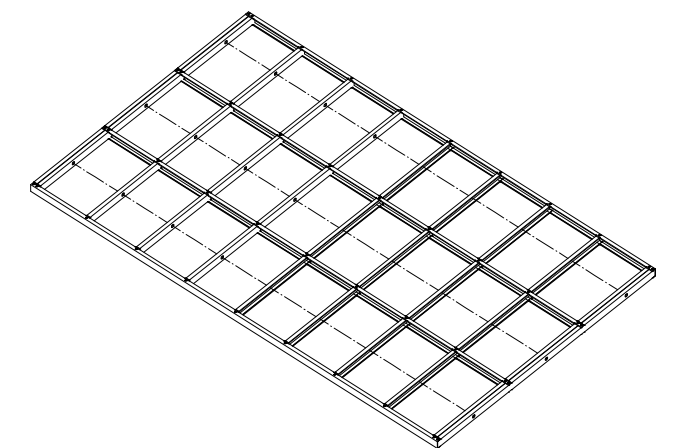
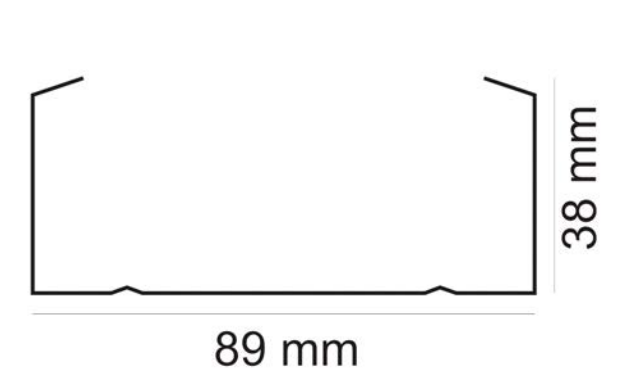
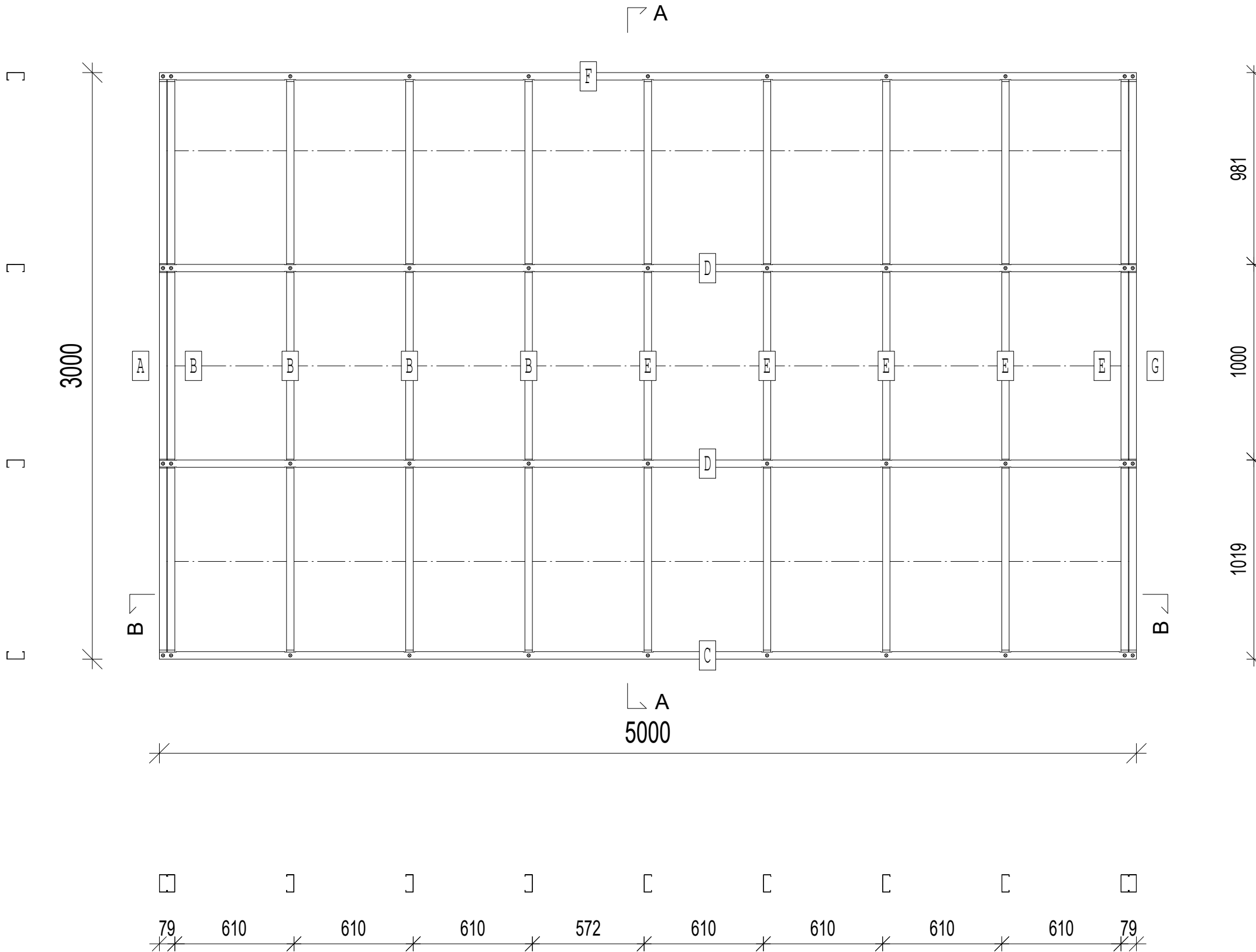
SCHEDULE				
PCE	QTY	MTRL	DESCRIPTION	LENGTH
A	1	C89x38x1.0	STUD	2998
B	5	C89x38x1.0	STUD	2998
C	1	C89x38x1.0	BOTTOM TRACK	5000
D	2	C89x38x1.0	NOGGIN	4998
E	6	C89x38x1.0	STUD	2998
F	1	C89x38x1.0	TOP TRACK	5000
G	1	C89x38x1.0	STUD	2998
Total Length: 58970.00mm				



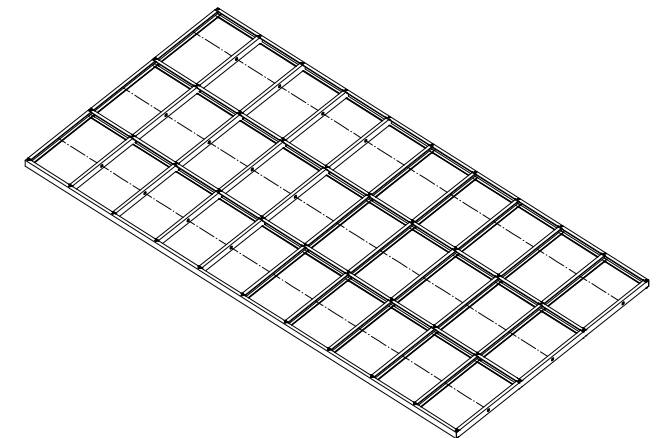
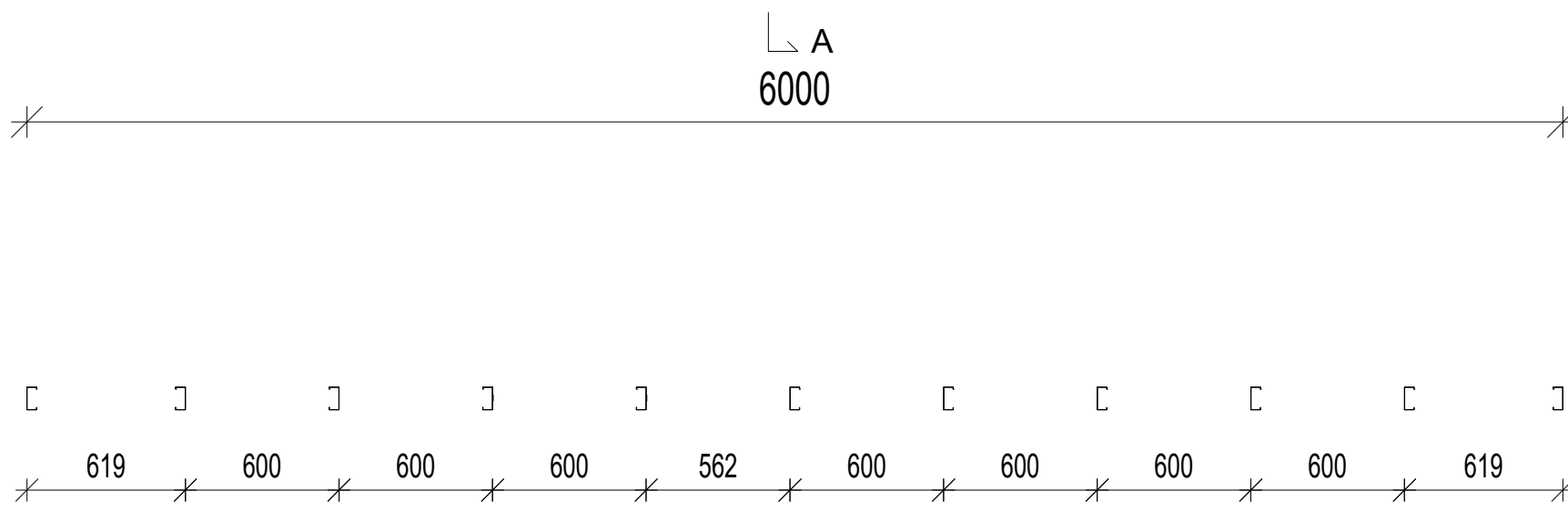
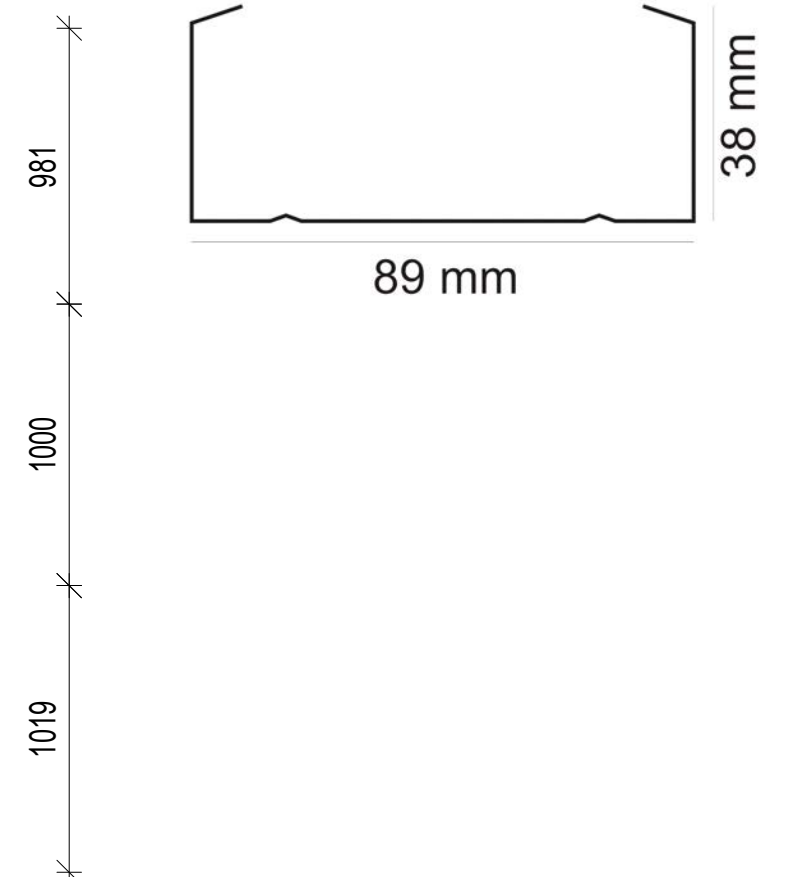
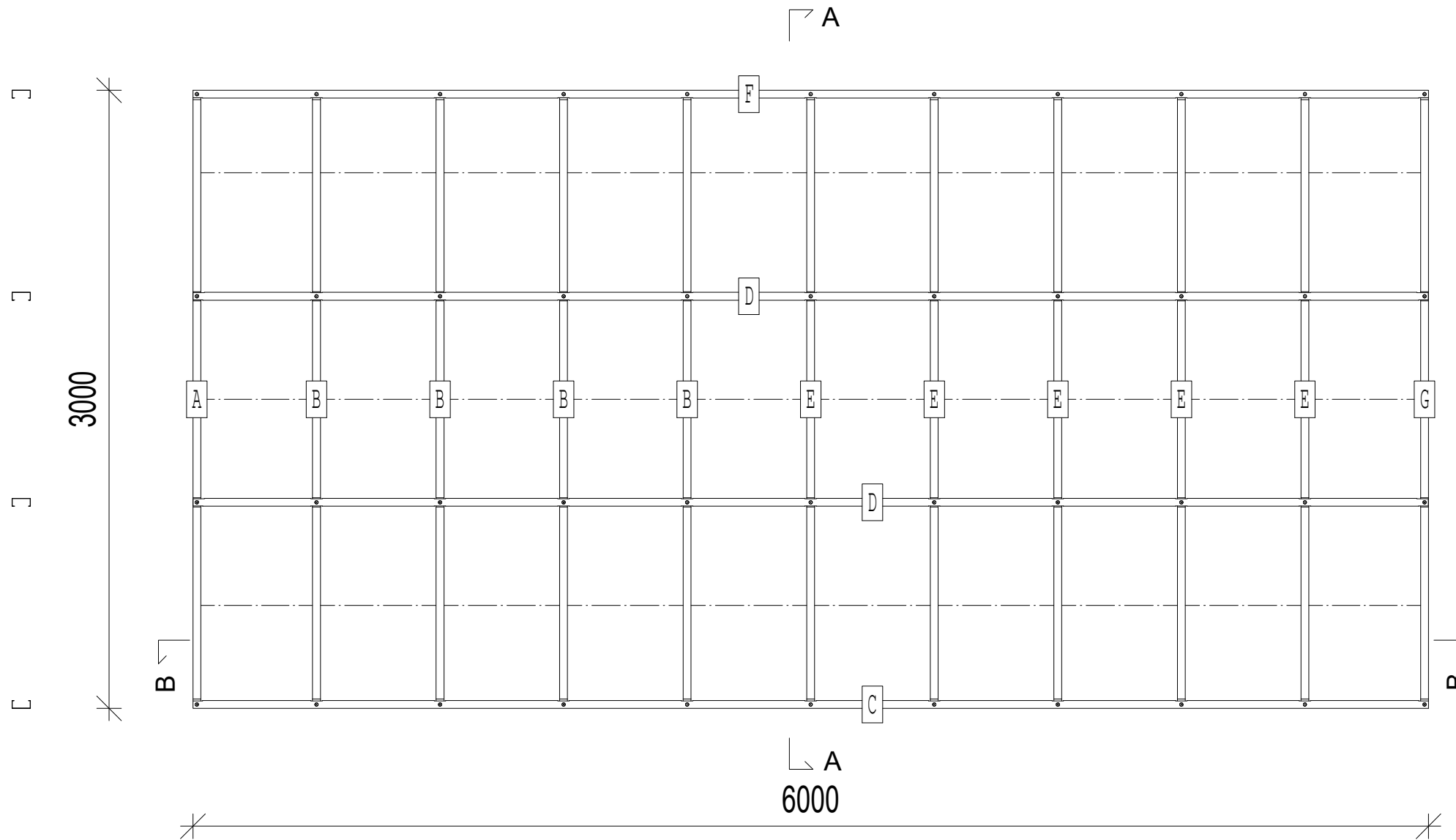
SCHEDULE				
PCE	QTY	MTRL	DESCRIPTION	LENGTH
A	1	C89x38x0.8	STUD	2998
B	4	C89x38x0.8	STUD	2998
C	1	C89x38x0.8	BOTTOM TRACK	5000
D	2	C89x38x0.8	NOGGIN	4998
E	5	C89x38x0.8	STUD	2998
F	1	C89x38x0.8	TOP TRACK	5000
G	1	C89x38x0.8	STUD	2998
Total Length: 52974.00mm				



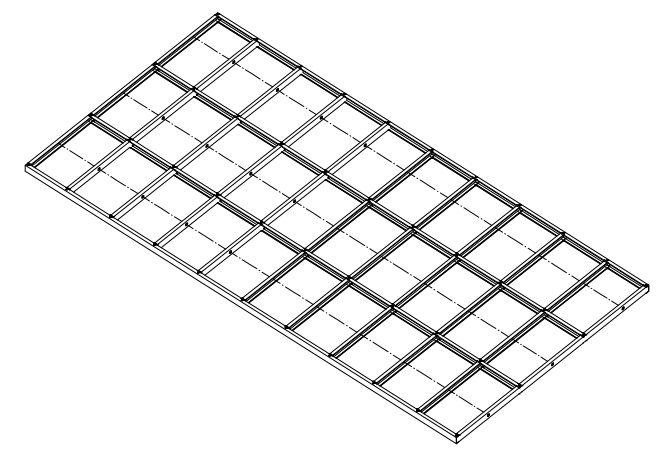
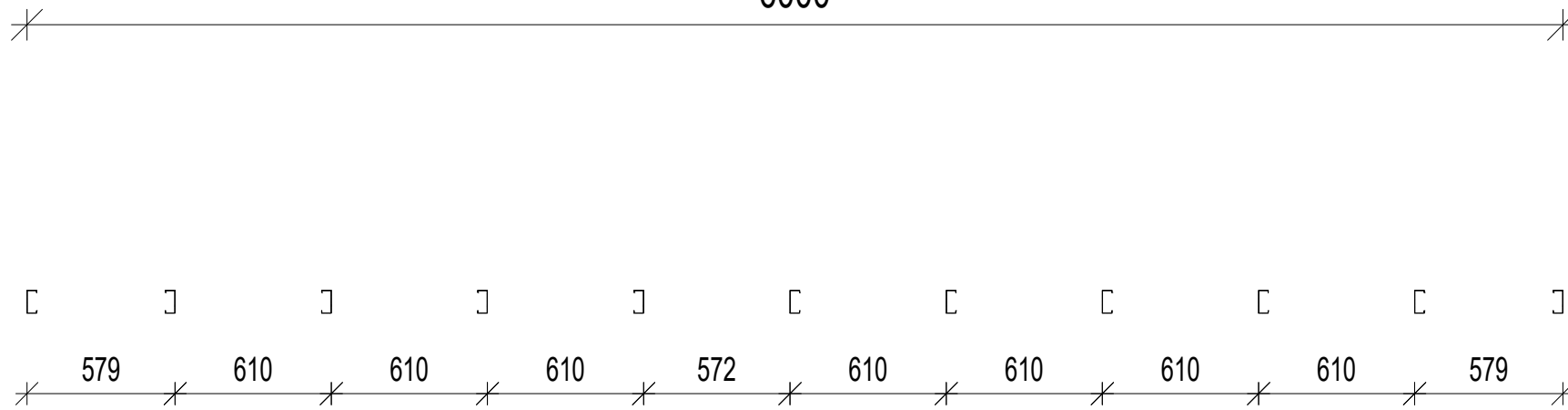
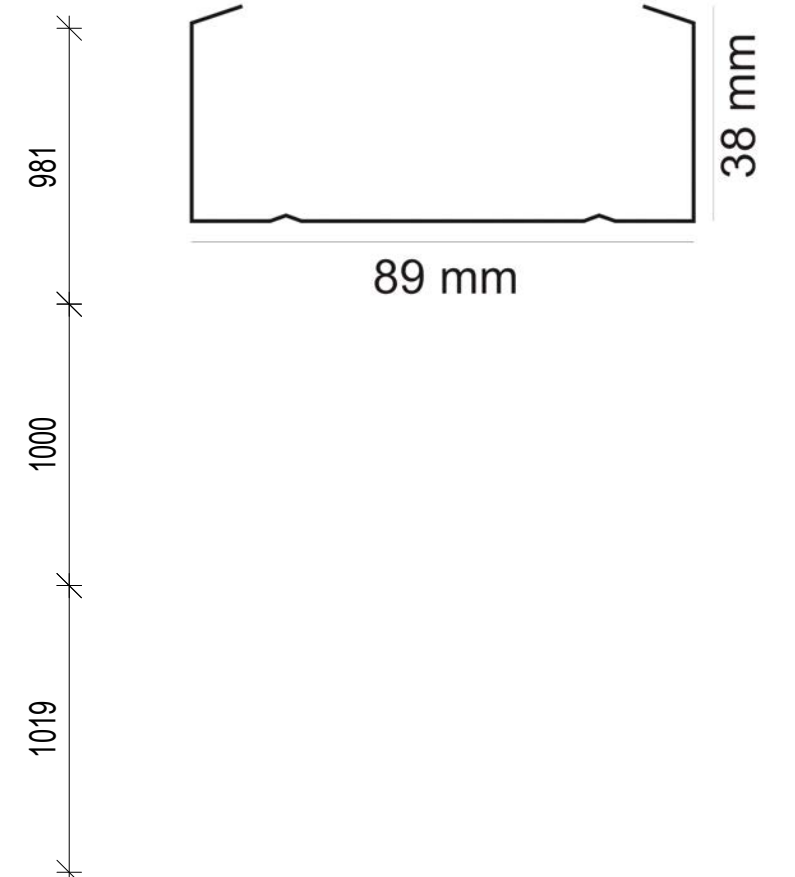
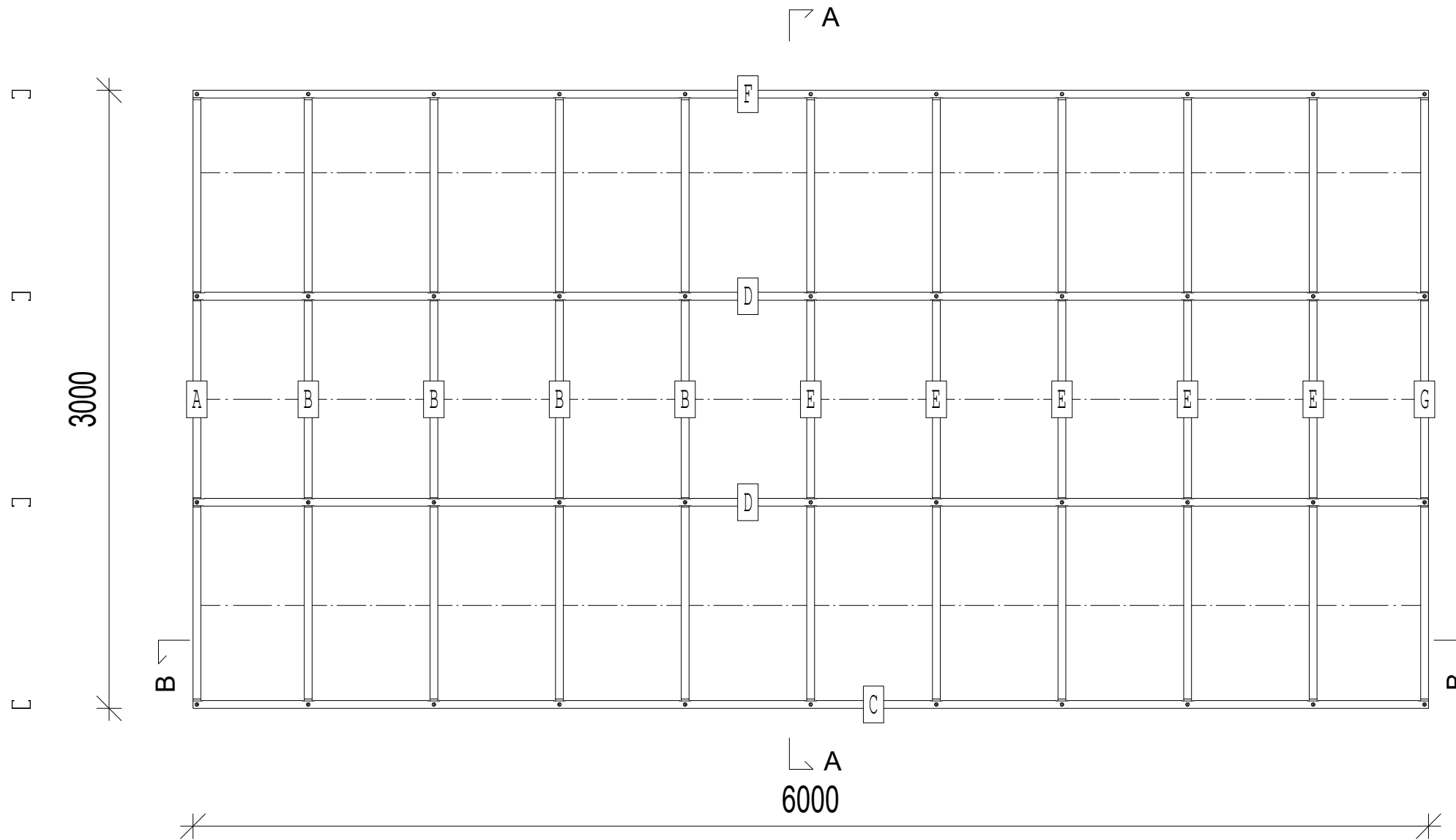
SCHEDULE				
PCE	QTY	MTRL	DESCRIPTION	LENGTH
A	1	C89x38x1.0	STUD	2998
B	4	C89x38x1.0	STUD	2998
C	1	C89x38x1.0	BOTTOM TRACK	5000
D	2	C89x38x1.0	NOGGIN	4998
E	5	C89x38x1.0	STUD	2998
F	1	C89x38x1.0	TOP TRACK	5000
G	1	C89x38x1.0	STUD	2998
Total Length: 52974.00mm				



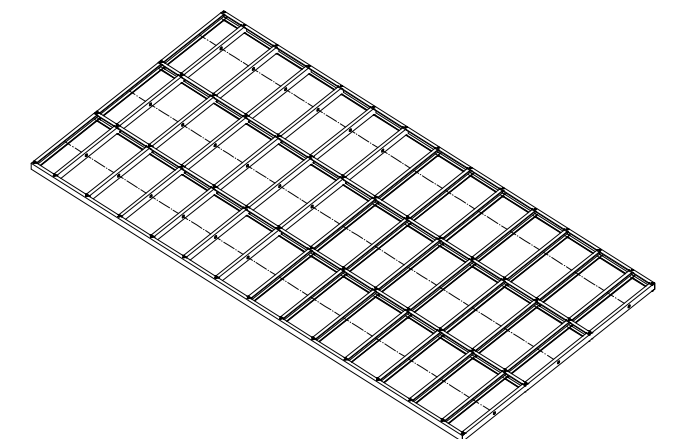
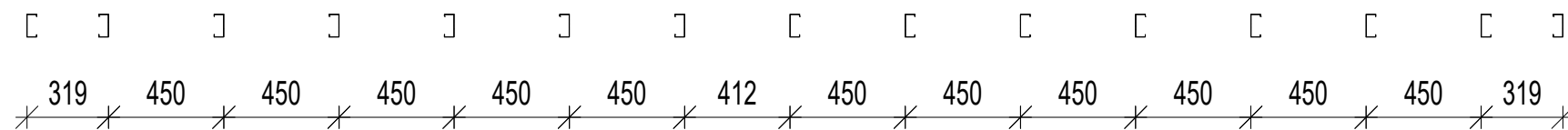
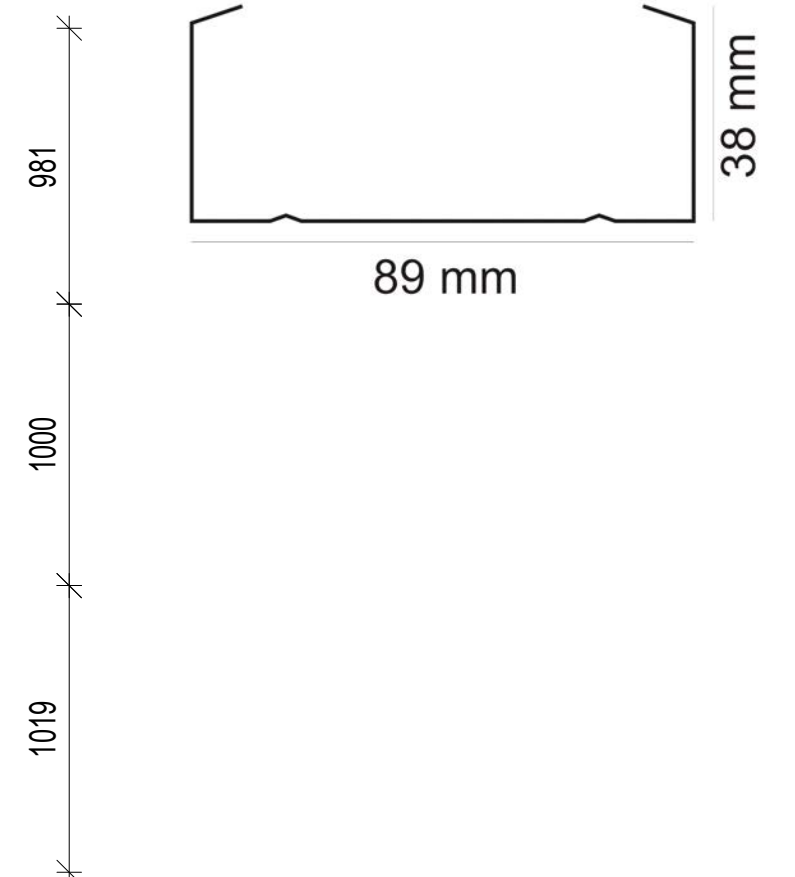
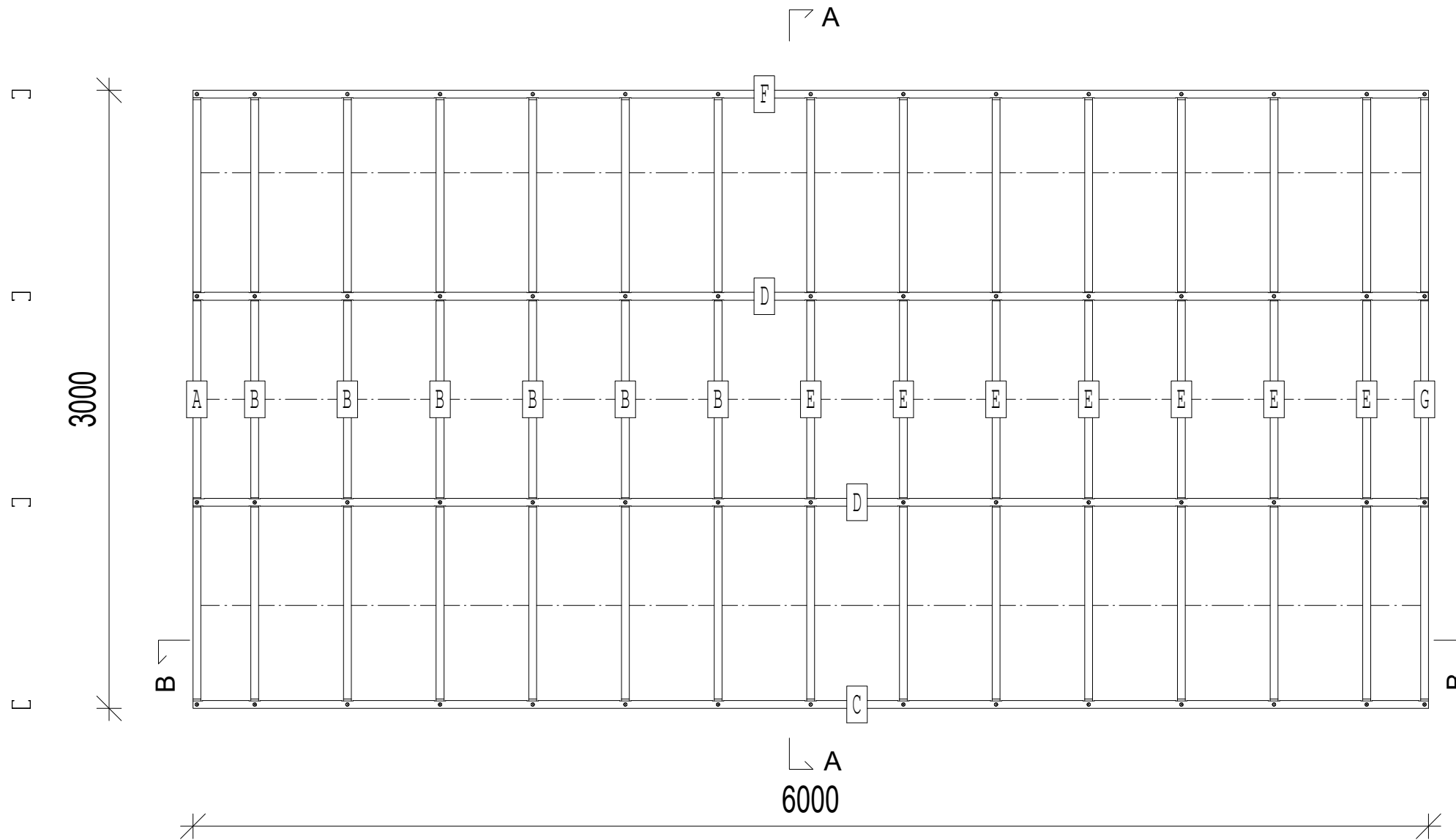
SCHEDULE				
PCE	QTY	MTRL	DESCRIPTION	LENGTH
A	1	C89x38x0.8	STUD	2998
B	4	C89x38x0.8	STUD	2998
C	1	C89x38x0.8	BOTTOM TRACK	6000
D	2	C89x38x0.8	NOGGIN	5998
E	5	C89x38x0.8	STUD	2998
F	1	C89x38x0.8	TOP TRACK	6000
G	1	C89x38x0.8	STUD	2998
Total Length: 56974.00mm				



SCHEDULE				
PCE	QTY	MTRL	DESCRIPTION	LENGTH
A	1	C89x38x1.0	STUD	2998
B	4	C89x38x1.0	STUD	2998
C	1	C89x38x1.0	BOTTOM TRACK	6000
D	2	C89x38x1.0	NOGGIN	5998
E	5	C89x38x1.0	STUD	2998
F	1	C89x38x1.0	TOP TRACK	6000
G	1	C89x38x1.0	STUD	2998
Total Length: 56974.00mm				



SCHEDULE				
PCE	QTY	MTRL	DESCRIPTION	LENGTH
A	1	C89x38x0.8	STUD	2998
B	6	C89x38x0.8	STUD	2998
C	1	C89x38x0.8	BOTTOM TRACK	6000
D	2	C89x38x0.8	NOGGIN	5998
E	7	C89x38x0.8	STUD	2998
F	1	C89x38x0.8	TOP TRACK	6000
G	1	C89x38x0.8	STUD	2998
Total Length: 68966.00mm				



SCHEDULE				
PCE	QTY	MTRL	DESCRIPTION	LENGTH
A	1	C89x38x1.0	STUD	2998
B	6	C89x38x1.0	STUD	2998
C	1	C89x38x1.0	BOTTOM TRACK	6000
D	2	C89x38x1.0	NOGGIN	5998
E	7	C89x38x1.0	STUD	2998
F	1	C89x38x1.0	TOP TRACK	6000
G	1	C89x38x1.0	STUD	2998
Total Length: 68966.00mm				

